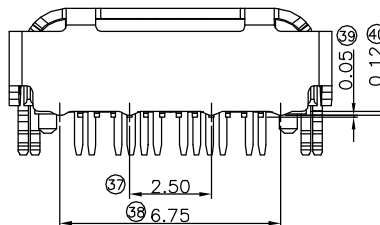
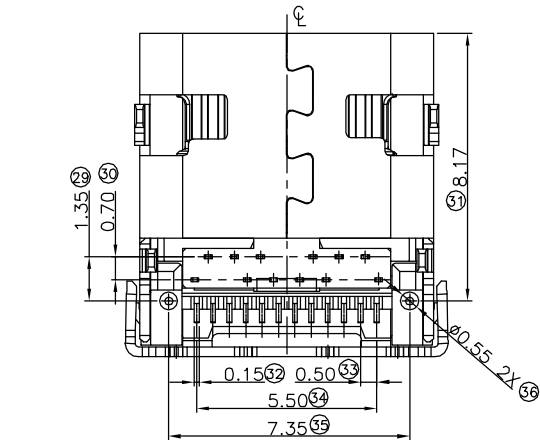
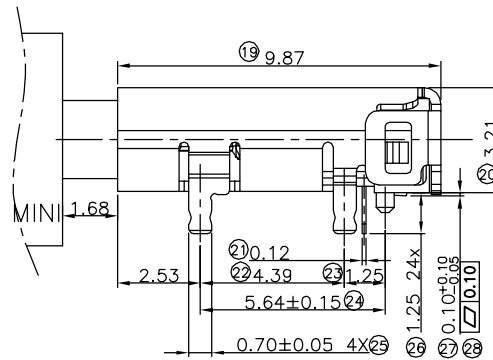
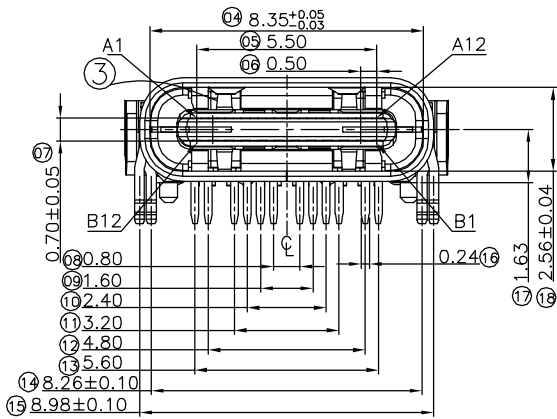
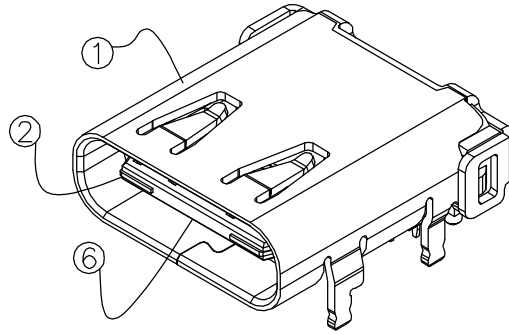
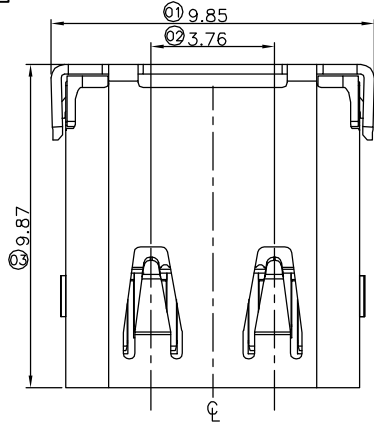


# 客户图

REV	LTR	DESCRIPTION	DATE	APPROVED
A0			20141011	LTY



备注:

1. 材质:

1.1 胶芯: LCP+30%G.F UL94V-0 黑胶

1.2 端子: C5210, 镍底, 镀金15U"

1.3 外壳: 不锈钢, 表面镀镍

1.4 卡钩: 不锈钢, 表面镀镍

1.5 弹片: 不锈钢,

2. 主要特性:

2.1 额定电流: 5A

2.2 接触阻抗: 30mΩ MAX

2.3 绝缘阻抗: 100MΩ MIN250VDC

2.4 耐压测试: 250VAC

2.5 沾锡性: 温度250±5℃, 时间5±0.5s

2.6 整体插入力: 3.57kgfMAX

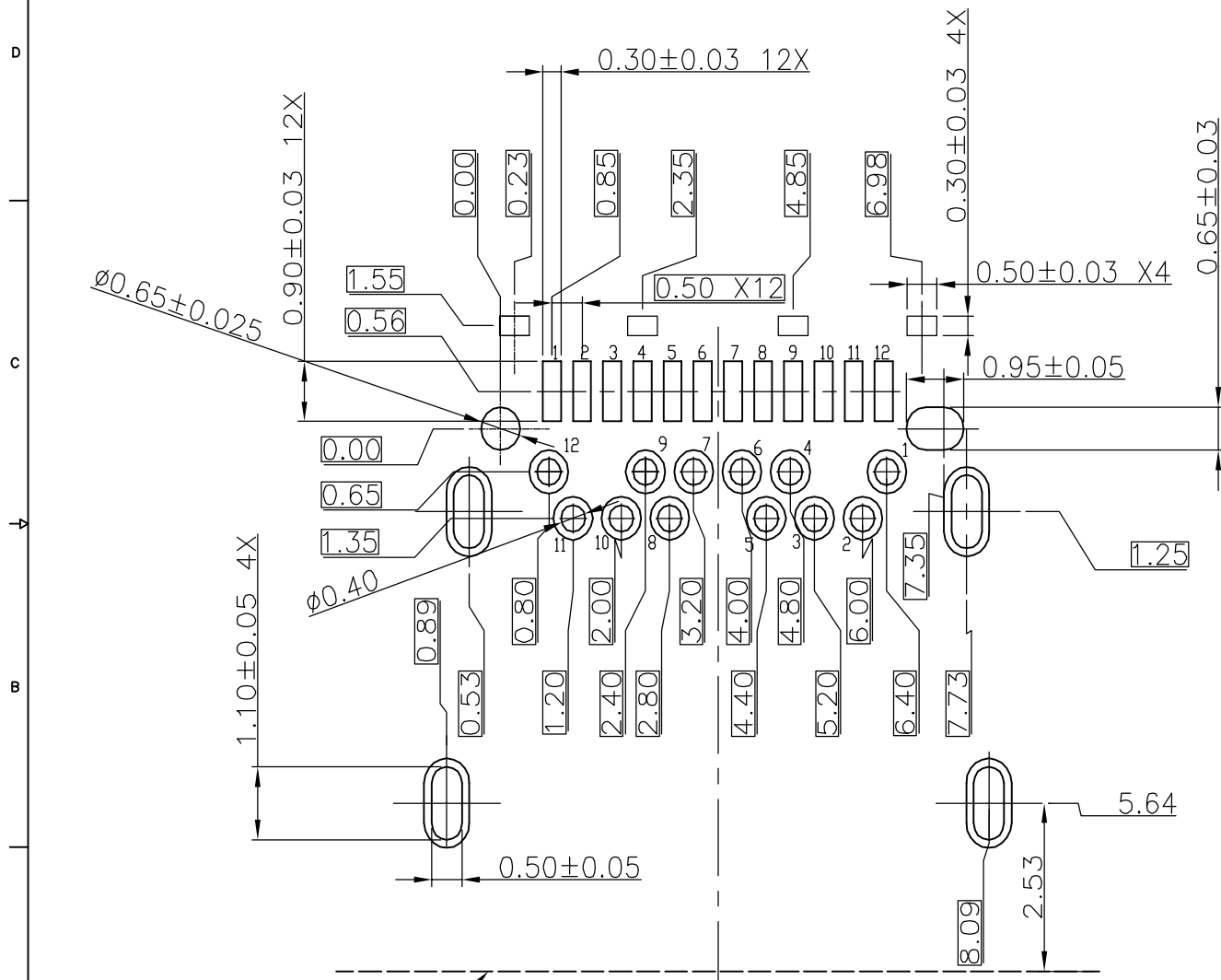
整体拔出力: 1.02kgfMIN

耐久: 10000次

TOLERANCES		 <b>深圳市顺宏康科技有限公司</b>				
.X	±0.15				TITLE: USB 3.1 Type C母座插板贴片	
.XX	±0.10				PARTNO.: SHK-31007	
.XXX	±0.05				DRAWINGNO.:	
ANGLES	2.00°	DRAWN: LTY				
APPD.:		REV.:	SIZE:	UNIT:		
CHECK:		A0	A4	MM		
		SCALE:	SHEET:			
		1:1	11			

客户图

REV	LTR	DESCRIPTION	DATE	APPROVED
A0			20141011	LTY



USBTYPE-CFULL-FEATUREDRECEPTACLEINTERFACEPINASSIGNMENTS

PIN	Signal Name	Description	PIN	Signal Name	Description
A1	GND	Groundreturn	B12	GND	Groundreturn
A2	SSTXp1	Positivehalfoffirs SuperSpeedTX differentialpair	B11	SSRXp1	Positivehalfoffirs SuperSpeed RX differentialpair
A3	SSTXn1	Negativehalfof firstSuperSpeedTX differentialpair	B10	SSRXn1	Negativehalfof firstSuperSpeed RX differentialpair
A4	VBUS	BusPower	B9	VBUS	BusPower
A5	CC1	Configuration Channel	B8	SBU2	SidebandUse (SBU)
A6	Dp1	Positivehalfofthe USB2.0differential pair-Position1	B7	Dn2	Negativehalfofthe USB2.0differential pair-Position 2
A7	Dn1	Negativehalfofthe USB2.0differential pair-Position1	B6	Dp2	Positivehalfofthe USB2.0differential pair-Position 2
A8	SBU1	SidebandUse (SBU)	B5	CC2	Configuration Channel
A9	VBUS	BusPower	B4	VBUS	BusPower
A10	SSRXn2	Negativehalfof secondSuperSpeed RXdifferentialpair	B3	SSTXn2	Negativehalfof secondSuperSpeed TXdifferentialpair
A11	SSRXp2	Positivehalfof secondSuperSpeed RXdifferentialpair	B2	SSTXp2	Positivehalfof secondSuperSpeed TXdifferentialpair
A12	GND	Groundreturn	B1	GND	Groundreturn

CONNECTOR FRONT EDGE

RECOMMENDED P.C.B. LAYOUT (T:1.00mm)

TOLERANCE UNSPECIFIED ±0.05mm

TOLERANCES		<p>深圳市顺宏康科技有限公司</p>			
. X	±0.15				
. XX	±0.10				
. XXX	±0.05				
ANGLES ±2.00		TITLE:			
		USB 3.1 Type-C母座插板贴片PCB图			
		PARTNO. :			
		SHK-31007			
APPD. :		DRAWINGNO. :			
CHECK:					
DRAWN: LTY	REV. : A0	SIZE: A4	UNIT: MM	SCALE: 1:1	SHEET: 11