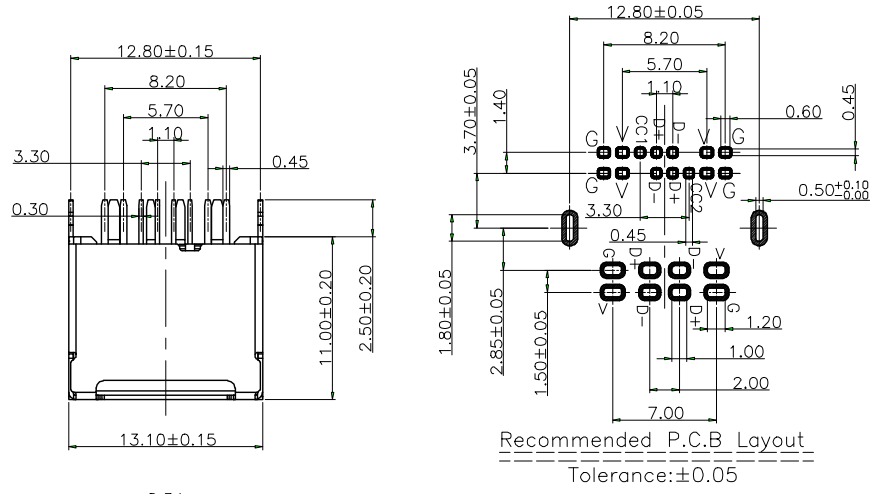


CUSTOMER DRAWING

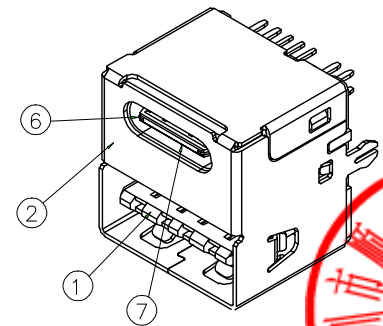
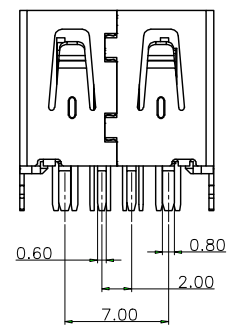
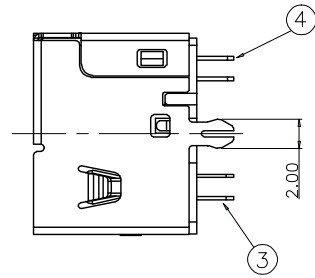
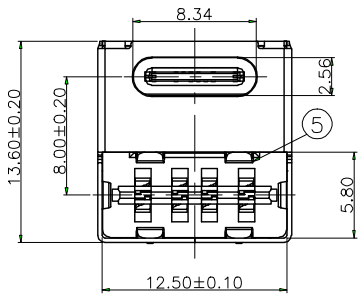
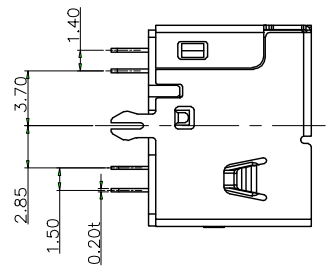
专利产品
仿冒必究



NOTE :
UT01FD022SX0XZA
1 Shell material
01: COPPER ALLOY
02: STEEL

1. Selective Plating
 S1: 5u" Gold In Contact Area
 100u" Tin In Tail Area
 S2: 0.8u" Gold In Contact Area
 100u" Tin In Tail Area
 S3: 10u" Gold In Contact Area
 100u" Tin In Tail Area
 S4: 15u" Gold In Contact Area
 100u" Tin In Tail Area
 S5: 30u" Gold In Contact Area
 100u" Tin In Tail Area

- SPECIFICATION:
 1. CURRENT RATING:
 a: TYPE-C: 8.0A MAX
 b: USB2.0: 5.0A MAX
 2. Withstanding Voltage: 100V AC
 3. TEMPERATURE RANGE: -30 °C ~ 85 °C
 4. CONTACT RESISTANCE: 40 MILLIONHM MAX
 5. INSULATION RESISTANCE: 100 MEGOHMS
 6. INSERTION FORCE : 5N~20N
 7. UNMATING FORCE: 8N~20N (1~1000次)
 6N~20N (10000次之后)
 8. DURABILITY: 10,000 CYCLES



7	TYPE C MD	HIGH TEMP	BLACK	UL 94V-0
6	CENTER PIECE	STAINLESS STEEL	—	NO Plated
5	TYPE C TERMINAL	COPPER ALLOY	—	Gold Plated
4	CLIP	SEE NOTE	—	Ni Plated
3	USB TERMINAL	COPPER ALLOY	—	Gold Plated
2	SHELL	SEE NOTE	—	Ni Plated
1	HOUSING	HIGH TEMP	BLACK	UL 94V-0
NO.	DESCRIPTION	MATERIAL	COLOR	REMARK

深圳市顺宏康科技有限公司



						30~	±0.50	DRAW		PART NO.	UT01FD022SX0XZA						
						10~ 30	±0.30	DESIGN		DRAW NAME	TYPE C 母座 14PIN 与 USB 2.0 双面插二合一						
						~ 10	±0.15	CHECK		DRAW NO.	SHK-31009		REV.	PA			
ECN (DCN) NO.	REV.	DESCRIPTION	DATE	CHANGE	APPRO.	GENERAL TOLERANCE UNLESS OTHERWISE NOTED		APPRO.		UNIT	mm	SCALE	1:1	PAGE	1of1	VIEW	