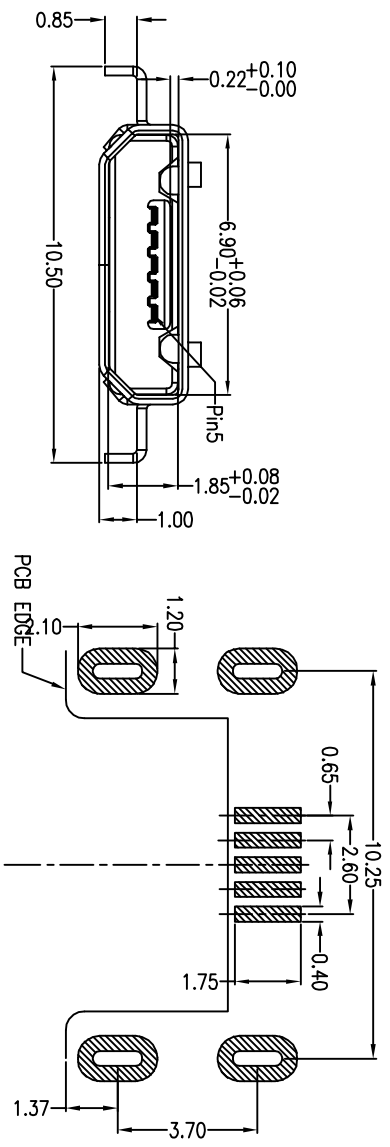
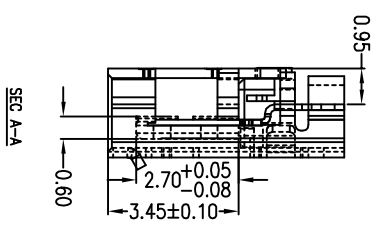
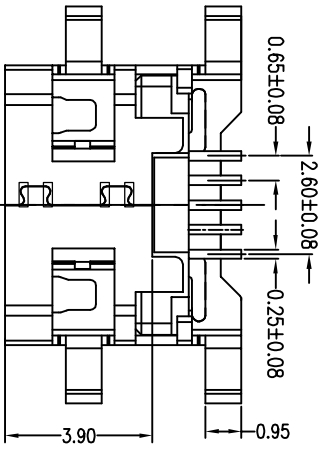
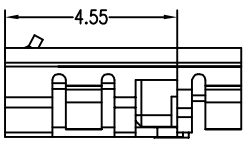
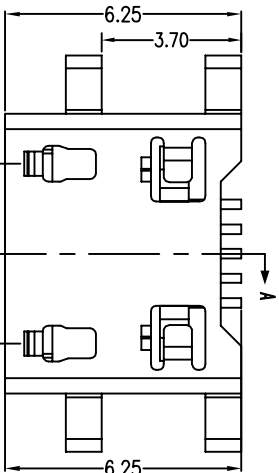
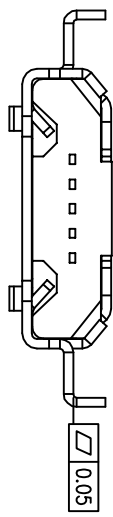


REV.	ECH NO	LOCATIONS	DESCRIPTION	DATE



RECOMMENDED PCB LAYOUT

PCB图仅供参考

- Note:
1. Material:
 - 1.1 Housing: High temperature thermoplastic with g.f.i. UL94V-0
 - 1.2 Contact: copper alloy, t=0.15mm
 - 1.3 Shell: copper alloy, t=0.25mm
2. Specification:
- 2.1 Current rating: 1 A Max.
 - 2.2 Dielectric withstanding voltage: 100 V(ac) for 1 min.
 - 2.3 Contact resistance: 30 MΩ Max.
 - 2.4 Insulation resistance: 100 MΩ Min.
 - 2.5 Total mating force: 3.57 Kgf Max.
 - 2.6 Total unmating force: 1.0 Kgf Min.
 - 2.7 Temperature range: -30°C~80°C

A 01 S B 1 4 1 B 3-401

- ① 产品代号 A: 成品
- ② 产品系列 01: micro usb 5pin
- ③ 产品类别 S: 母座
- ④ 产品类型 B: B TYPE
- ⑤ 外壳材料 1: CS300R-H
- ⑥ 端子材料 4: 05181R-EH
- ⑦ 主体材质 1: LP
- ⑧ 主体颜色 B: 黑色
- ⑨ 下板类型 3: 沉板式
- ⑩ 细节序号 401: micro usb 5 B Type Smt沉板式沉板式1.0沉板式

PART NO:	A01SB141B3-401	MATERIAL:	SEE NOTE
MODEL NO:	XX	FINISH:	SEE NOTE
UNIT:	MM	SIZE:	A4
TOLERANCE UNSPECIFIED		DR:	xiaoyouhong
.x	0.15	CHK:	
.xx	0.10	APP:	
.xxx	0.05	SCALE:	5:1
Ang	1°	DATE:	2014.04.24
TITLE:		DWG NO:	SHIK-20036
Micro-usb 5s B Type Smt沉板式沉板式1.0无导位		REV:	A

深圳市顺安康科技有限公司

