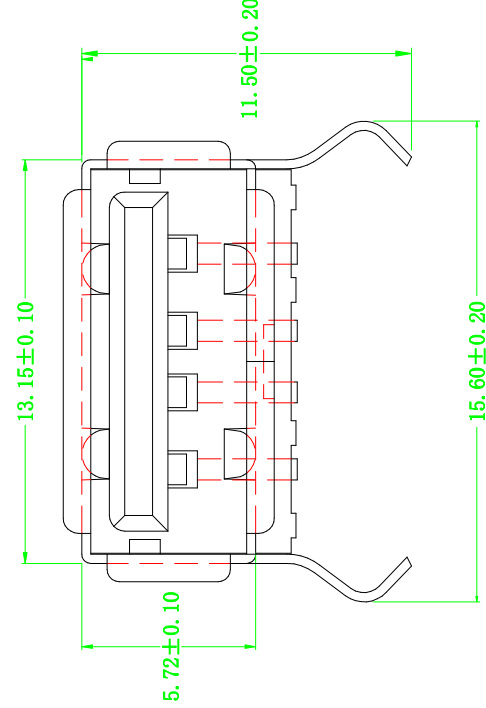
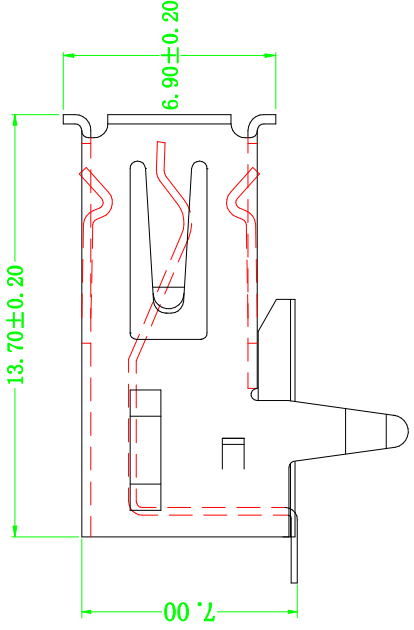


1	2	3	4	5
文件类型: 产品图面			REV. ECN NO.	DESCRIPTION
			DRWN	APPD.
				DATE.

A



Specifications:

Electrical:

- Current Rating  
1.5A/contact terminal
- Voltage Rating  
30V DC
- Contact Resistance  
30 milliohms MAX
- Dielectric Withstanding Voltage:  
500 V AC AT Sea Level
- Insulation Resistance:  
1000MEGA ohms MIN

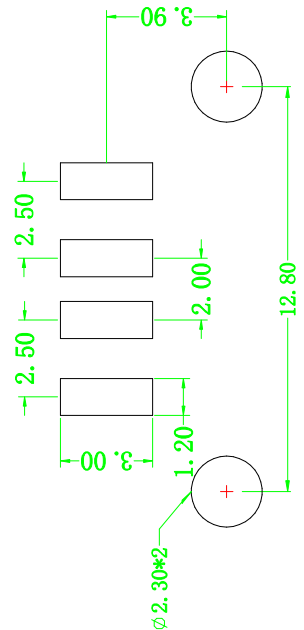
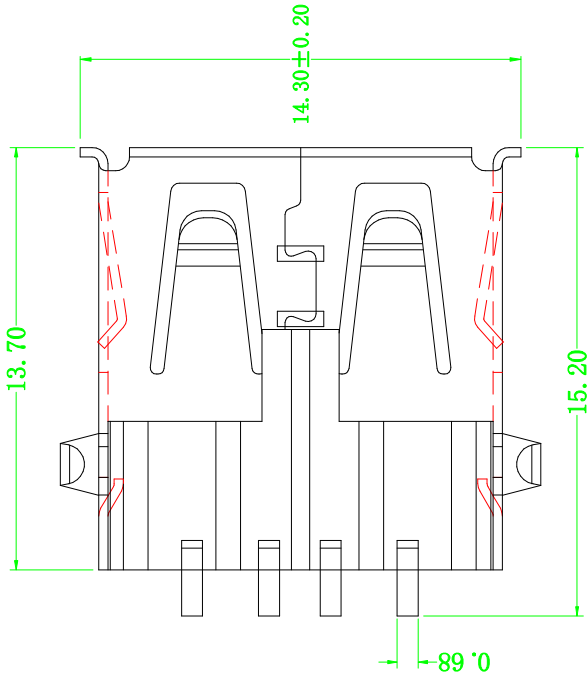
Mechanical:

- Connector Mate and Unmate Force  
Mate force:3.75kgf (MAX)  
Unmate force:1.02kgf (MIN)
- Terminal Retention  
1.2kgf (MIN)

Material:

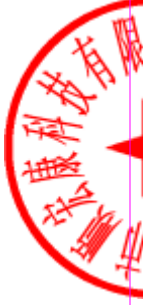
- Housing:  
Hing Temperature Thermoplastics,  
UI 94V-0 PBT/LCP White/Black
  - Contact:Copper Alloy C2680
  - Shell: Copper Alloy C2680/SPCC
- Finish:
- Contact: Plated Gold in Mating Area;  
Tin On Solder Tails
  - Shell:  
Nickel Plating

B



C

# 深圳市顺宏康科技有限公司



UNITS MM	SCALE 1:1
<b>GENERAL TOLERANCE</b> X.X ±0.30 X.X ±0.20 X.XX ±0.10 X.° ±3° X.X° ±2°	

DR.	Aaron	TITLE	USB A/F 90° SMT (弯脚卷边)
CHK.	Aaron	MAT'L:	
APPD.	PANYUFENG	DATE:	2011.06.28
		DWG NO:	SHK-20079
		PART NO:	
		SIZE	A4

D