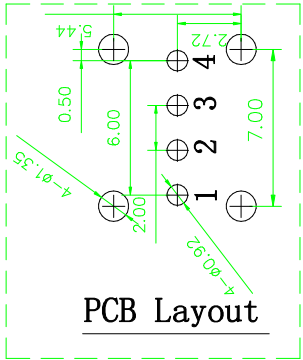
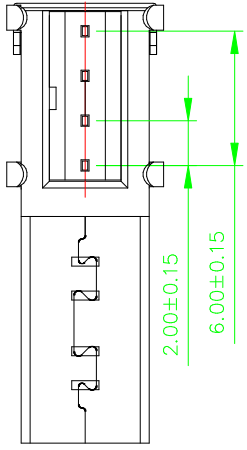
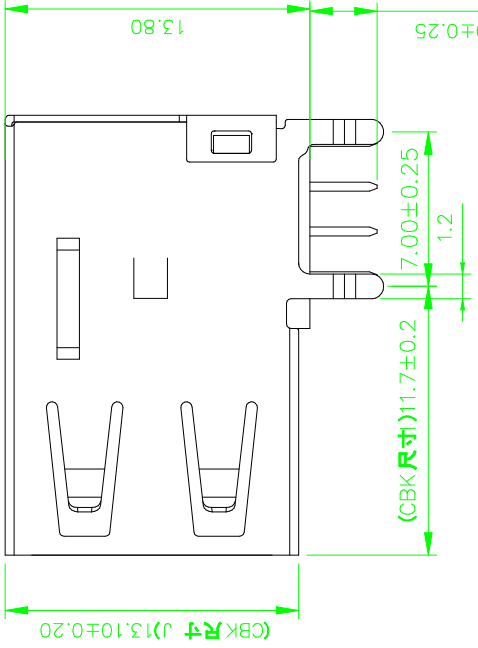
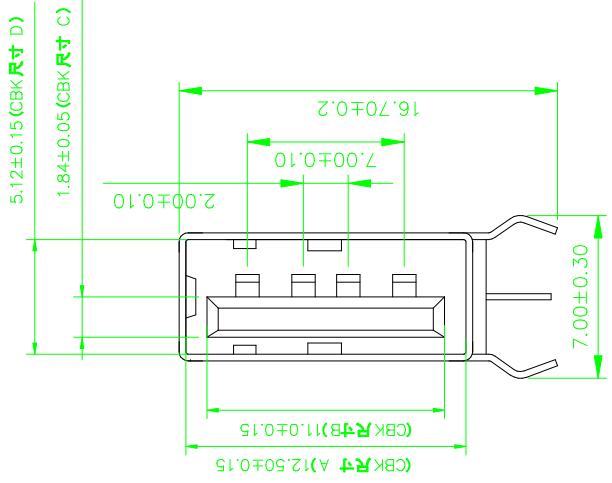
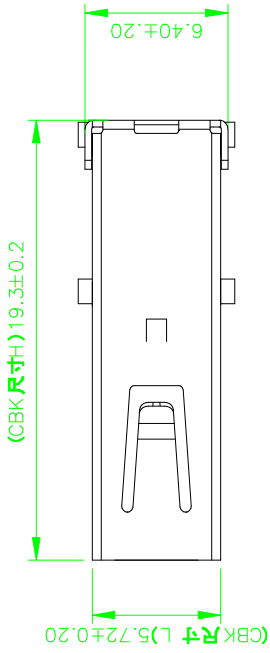
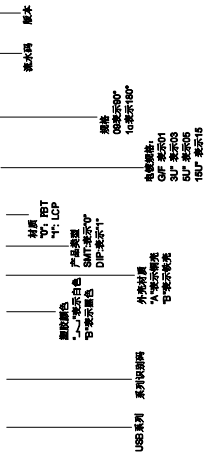




REV	ECN DESCRIPTION	DATE	ECR
A	新版发行	2012/11/16	赵振



U 2113-B 1 0 01 1a-26 A



**SPECIFICATION:**  
 Contact current Rating: 1.5 Amperes  
 Dielectric Strength: AC 500V(RMS)  
 Insulation Resistance: 1000MΩ  
 Contact Resistance: 3mΩ  
 Mechanical Characteristics: Mating Force: 35mN, Mating Force: 10mN

**MATERIAL:**  
 Housing: PBT+30%GF 94V 0  
 Contact: Copper alloy (T=0.25mm)  
 Shell: SPCC  
**PLATING:**  
 Contact: Au Plated  
 Shell: Nickel Plated

Operating Temperature: 45° to +85°  
 盐雾8小时

DWG NO	DWG	SCALE
U 2113-B 1 0 01 1a-26 A	01	1:1
TITLE	PART NO.	DATE
USB AF 2.0 侧插连接器 脚加塞 7.0 不带卷边	SHK-20085	2017/3/27
REV	SIZE	SHEET
A	A4	1/1

ITEM	CONTACT	HOUSING	SHELL	PART NAME	QTY/PCS	MATERIALS	NOTE
④	CONTACT	4	BRASS			BRASS	
③	HOUSING	1	PBT/LCP			PBT/LCP	GOLD FLASH/1u"/3u"/15u" T=0.25mm BK/WH
①	SHELL	1	BRASS/SPCC			BRASS/SPCC	NICKEL PLATING T=0.30mm
②	PART NAME	QTY/PCS	MATERIALS				

深圳市顺宏康科技有限公司