

规格说明: Specifications:
电气特性: Electrical:

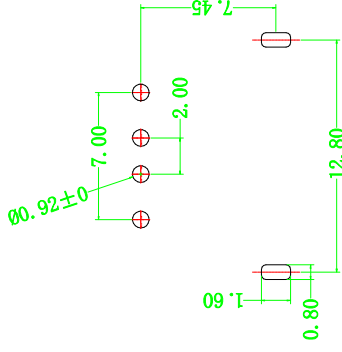
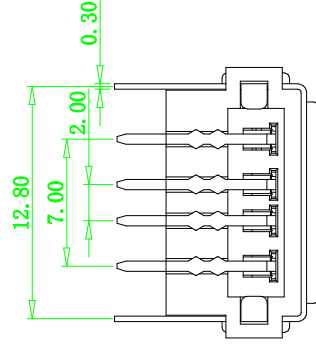
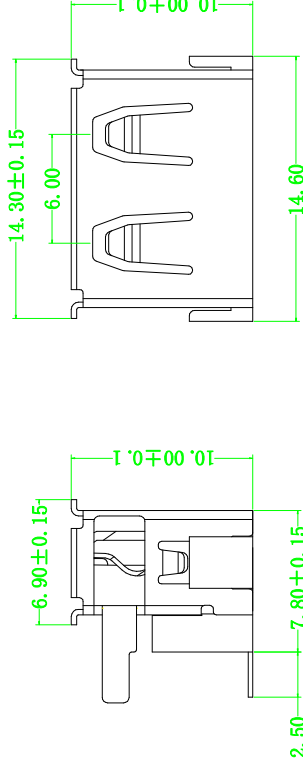
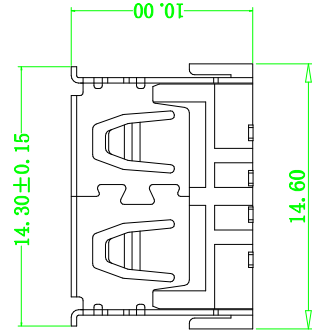
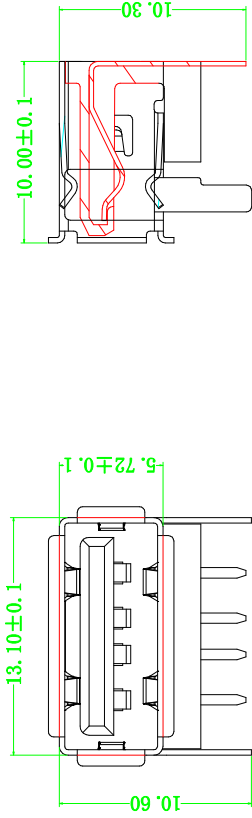
- 1. 额定电流: Current Rating**
1.5A/contact terminal
- 2. 额定电压: Voltage Rating**
30V DC
- 3. 接触阻抗: Contact Resistance**
30 milliohms MAX
- 4. 耐压: Dielectric Withstanding Voltage:**
500 V AC AT Sea Level
- 5. 绝缘阻抗: Insulation Resistance:**
1000MEGA ohms MIN

物理性能: Mechanical:

- 1. 插拔力: Connector Mate and Unmate Force**
Mate force: 3.57kgf (MAX)
Unmate force: 1.02kgf (MIN)
- 2. 端子保持力: Terminal Retention**
1.2kgf (MIN)

原材料: Material:

- 1. 塑胶: Housing:**
Hing Temperature Thermoplastics,
UI 94V-0 PBT White/Black
- 2. 端子: Contact: Copper Alloy C2680**
- 3. 外壳: Shell: Copper Alloy C2680/SPCC**
- 电镀: Finish:**
1. 端子: Contact: Plated Gold in Mating Area,
Tin On Solder Tails
2. 外壳: Shell: Nickel Plating



P.C.B LAYOUT

深圳市顺宏康科技有限公司

品名 (ITEM NO) 短体10.0 DIP(后柄面有卷边H=7.8H)

料号 (PART NO) SHK-20109

模号 (MODEL NO) A008-1J

图号 (DWG NO)		单位 (UNIT): MM
版本 (REV)	A/0	比例 (SCALE) 1:1
日期 (DATE)		
设计 (DESIGN)		未注公差 TOLERANCE UNSPECIFIED
审核 (CHECKED)		X.X ±0.30
核准 (APPROVED)		X.XX ±0.20
		X.XXX ±0.10
		X° ±5°
		X.X° ±2°