

规格说明:Specifications:

电气特性:Electrical:

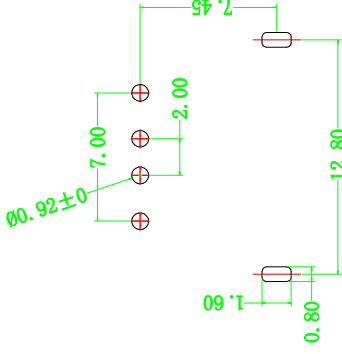
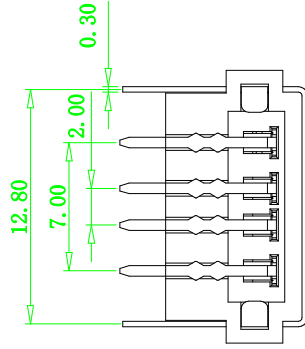
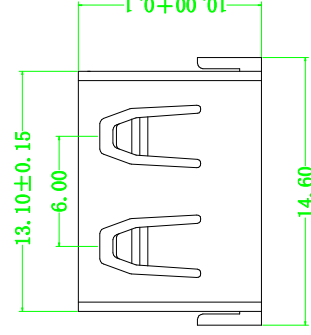
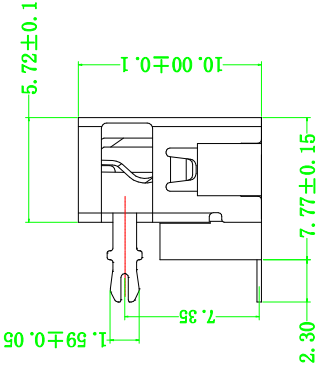
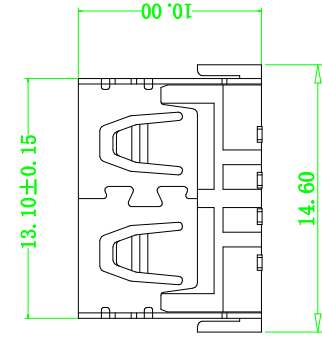
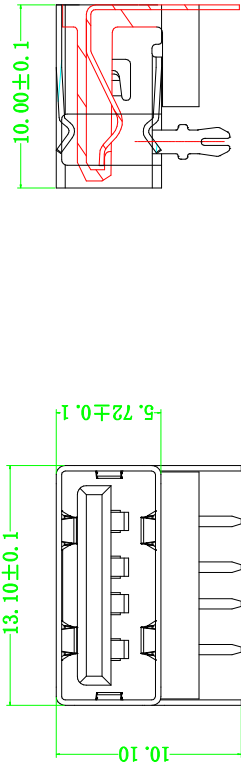
- 1. 额定电流: Current Rating  
1.5A/contact terminal
- 2. 额定电压: Voltage Rating  
30V DC
- 3. 接触阻抗:Contact Resistance  
30 milliohms MAX
- 4. 耐压:Dielectrc Withstanding Voltage:  
500 V AC AT Sea Level
- 5. 绝缘阻抗:Insulation Resistance:  
1000MEGA ohms MIN

物理性能:Mechanical:

- 1. 插拔力: Cnnector Mate and Unmate Force  
Mate force:3.57kgf (MAX)  
Unmate force:1.02kgf (MIN)
- 2. 端子保持力: Terminal Retention  
1.2kgf (MIN)

原材料:Matorial:

- 1. 塑胶:Housing:  
Hing Temperature Thernmaplastics,  
UI 94V-0 PBT White/Black
  - 2. 端子:Contact:Copper Alloy C2680
  - 3. 外壳:Shell: Copper Alloy C2680/SPCC
- 电镀:Finish:
- 1. 端子:Contact: Plated Gold in Mating Area;  
Tin On Solder Talls
  - 2. 外壳:Shell:  
Nickel Plating



P.C.B LAYOUT

# 深圳市顺宏康科技有限公司



品名 (ITEM NO) A/F 短体10.0 DIP (后侧脚有凸边H=7.8H)

料号 (PART NO) SHK-20109

模号 (MODEL NO) A008-1J

图号 (DWG NO)	版本 (REV)	日期 (DATE)	设计 (DESIGN)	审核 (CHECKED)	核准 (APPROVED)
	A/0				
单位 (UNIT): MM	比例 (SCALE) 1:1				
未注公差 TOLERANCE UNSPECIFIED X.X ±0.30 X.XX ±0.20 X.XXX ±0.10 X.XX ±0.05 X.X ±0.02					