

规格说明: Specifications:

电气特性: Electrical:

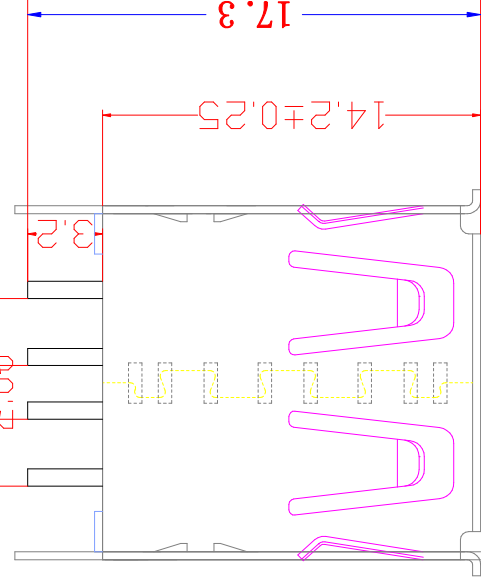
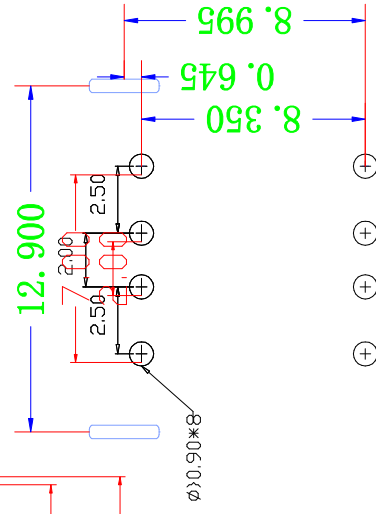
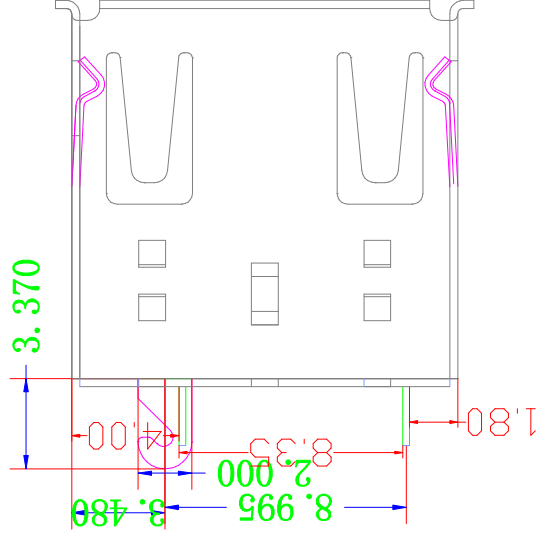
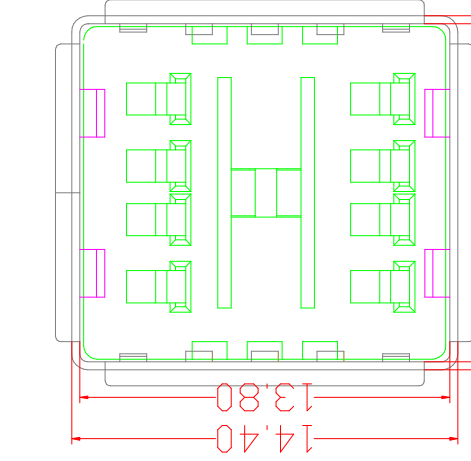
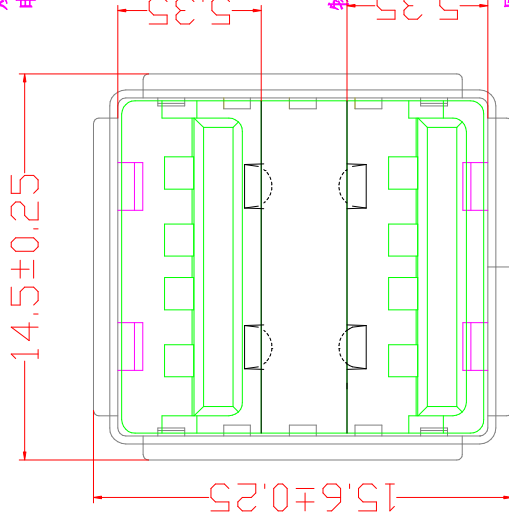
- 1. 额定电流: Current Rating 1.5A/contact terminal
- 2. 额定电压: Voltage Rating 30V DC
- 3. 接触电阻: Contact Resistance 30 milliohms MAX
- 4. 耐压: Dielectric Withstanding Voltage: 500 V AC AT Sea Level
- 5. 绝缘电阻: Insulation Resistance: 1000MEGA ohms MIN

物理性能: Mechanical:

- 1. 插拔力: Connector Mate and Unmate Force
Mate force: 3.57kgf<MAX>
Unmate force: 1.02kgf<MIN>
- 2. 端子保持力: Terminal Retention 1.2kgf<MIN>

原材料: Material:

- 1. 塑胶: Housing: Hing Temperature Tnermaplastics, PBT White/Black
 - 2. 端子: Contact: Copper Alloy C2680
 - 3. 外壳: Shell: Copper Alloy C2680/SPCC
- 电镀: Finish:
- 1. 端子: Contact: Plated Gold in Mating Area; Tin On Solder Talls
 - 2. 外壳: Shell: Nickel Plating



RECOMMENDED P. C. B PATTERN LAY OUT

深圳市顺宏康科技有限公司

UNLESS OTHERWISE SPECIFIED TOLERANCE	RB COMME NDED P. C. B PATTERN LAY OUT DRAWN	TITLE	USB AF 双层直插14. 2MM挂钩
.X ±0.20	H.Q.huocuy	UNIT	MM
.XX ±0.15	APPROVED	SCALE	3/1
.XXX ±0.10	DATE	PART NO.	SHK-20142
ANG. ±2°	2011.03.18	DOC. NO.	
		SIZE	A4
		REV.	A