

规格说明: Specifications:

电气特性: Electrical:

- 1. 额定电流: Current Rating
1.5A/contact terminal
- 2. 额定电压: Voltage Rating
30V DC
- 3. 接触阻抗: Contact Resistance
30 milliohms MAX
- 4. 耐压: Dielectric Withstanding Voltage:
500 V AC AT Sea Level
- 5. 绝缘阻抗: Insulation Resistance:
1000MEGA ohms MIN

物理性能: Mechanical:

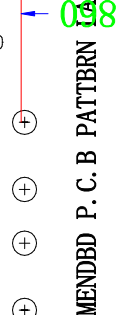
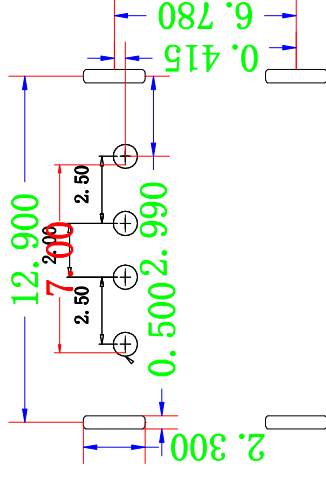
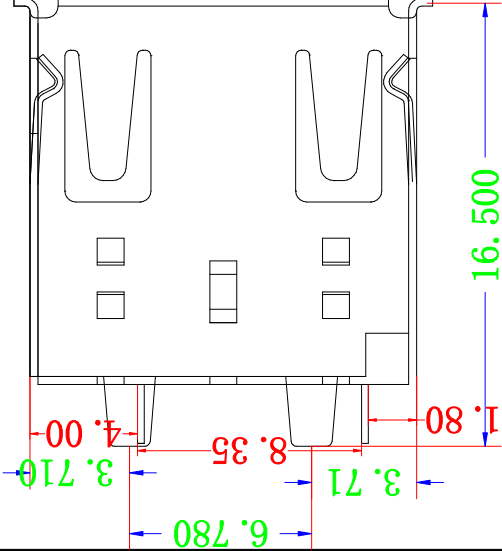
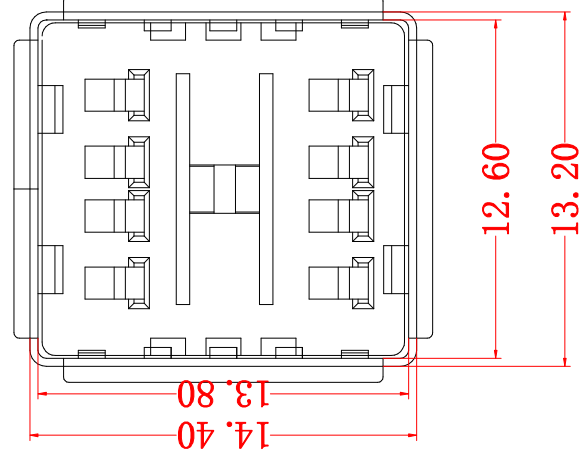
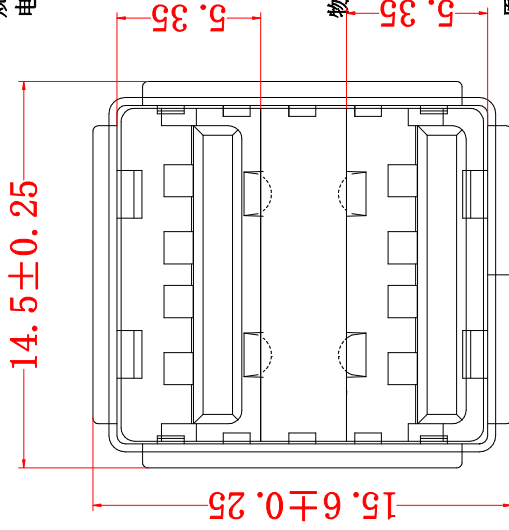
- 1. 插拔力: Connector Mate and Unmate Force
Mate force: 3.57kgf (MAX)
Unmate force: 1.02kgf (MIN)
- 2. 端子保持力: Terminal Retention
1.0kgf (MIN)

原材料: Material:

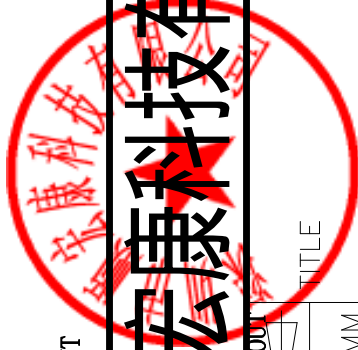
- 1. 塑胶: Housing:
Hing Temperature Thermoplastics,
PBT White/Black
- 2. 端子: Contact: Copper Alloy C2680
- 3. 外壳: Shell: Copper Alloy C2680/SPCC

电镀: Finish:

- 1. 端子: Contact: Plated Gold in Mating Area;
Tin On Solder Tails
- 2. 外壳: Shell:
Nickel Plating



RECOMMENDED P.C.B PATTERN LAYOUT



深圳市顺宏康科技有限公司

UNLESS OTHERWISE SPECIFIED TOLERANCE .X ±0.20 .XX ±0.15 .XXX ±0.10 ANG. ±2°	RECOMMENDED P.C.B PATTERN LAYOUT	TITLE
	DRAWN	UNIT MM
H.Q.huocuy	APPROVED	SCALE 3/1
DATE 2011.03.18	PART NO. SHK-20125	DOC. NO. A
	REV.	A