

规格说明: Specifications:

电气特性: Electrical:

- 1. 额定电流: Current Rating 1.5A/contact terminal
- 2. 额定电压: Voltage Rating 30V DC
- 3. 接触阻抗: Contact Resistance 30 milliohms MAX
- 4. 耐压: Dielectric Withstanding Voltage: 500 V AC AT Sea Level
- 5. 绝缘阻抗: Insulation Resistance: 1000MEGA ohms MIN

物理性能: Mechanical:

- 1. 插拔力: Connector Mate and Unmate Force Mate force: 3.57kgf(MAX) Unmate force: 1.02kgf(MIN)
- 2. 端子保持力: Terminal Retention 1.2kgf(MIN)

原材料: Material:

1. 塑胶: Housing:

Hing Temperature Thermaplastics, PBT White/Black

2. 端子: Contact: Copper Alloy C2680

3. 外壳: Shell: Copper Alloy C2680/SPCC

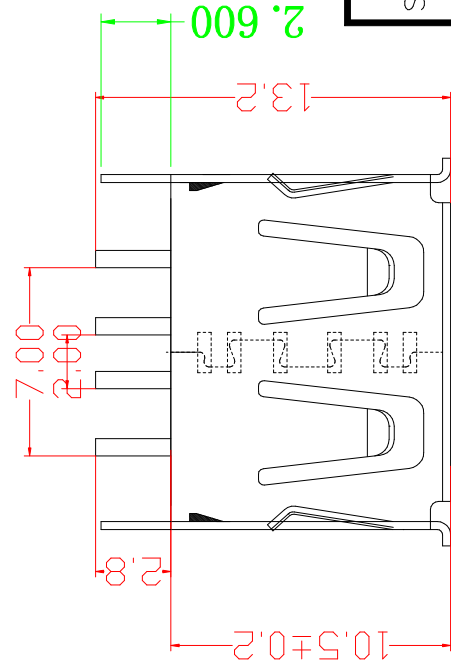
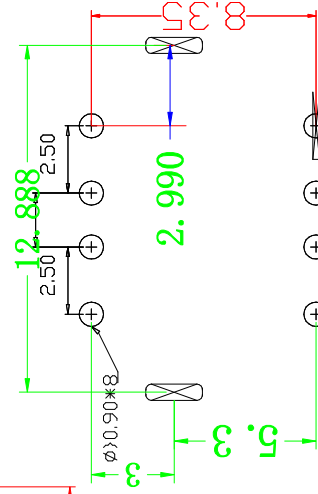
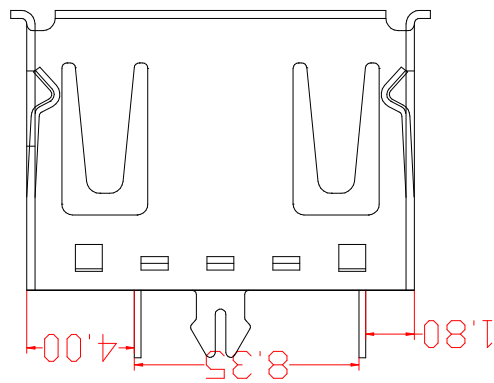
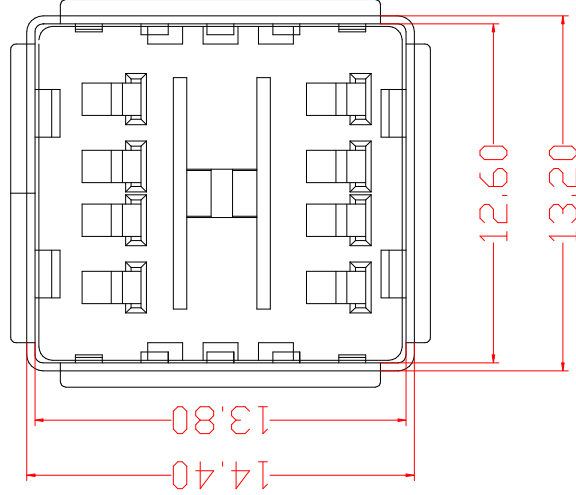
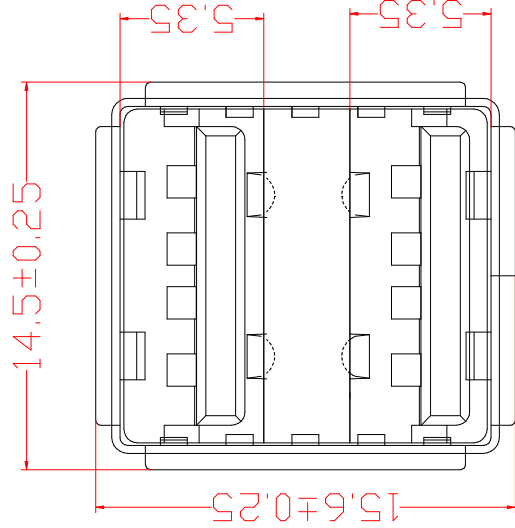
电镀: Finish:

1. 端子: Contact: Plated Gold in Mating Area;

Tin On Solder Tails

2. 外壳: Shell:

Nickel Plating



RBCOMMEND P. C. B PATTERN LAY OUT



深圳市顺宏康科技有限公司

RBCOMMEND P. C. B PATTERN LAY OUT		TITLE		USB AF 双层直插10.5MM鱼叉脚	
UNLESS OTHERWISE SPECIFIED TOLERANCE	H.Q.huoyi	UNIT	MM	PART NO.	SHK-20128
.X ±0.20	APPROVED	SCALE	3/1	DOC. NO.	REV. A
.XX ±0.15	DATE	SIZE	A4		
.XXX ±0.10	2011.03.18				
ANG. ±2°					