

规格说明: Specifications:

电气特性: Electrical:

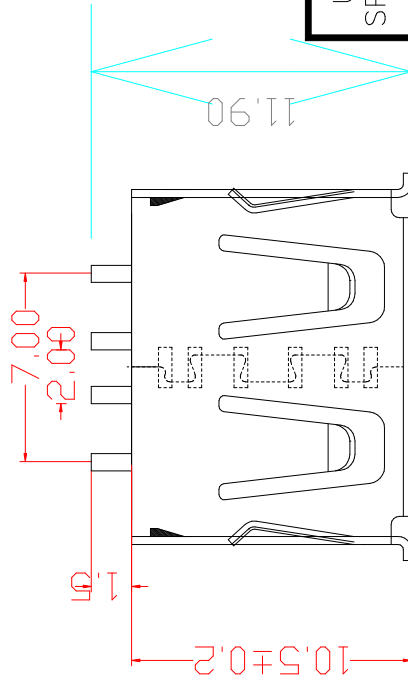
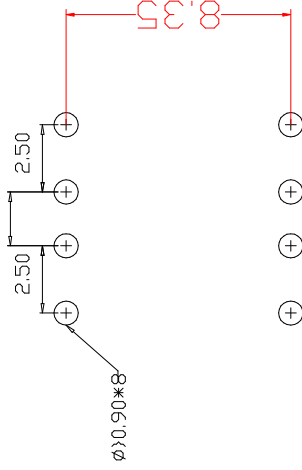
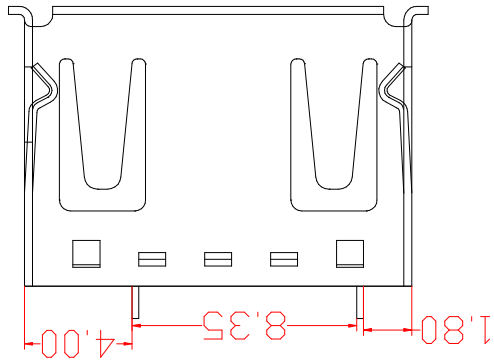
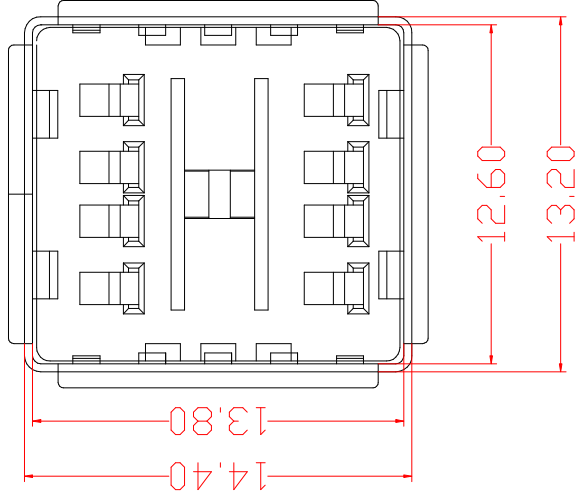
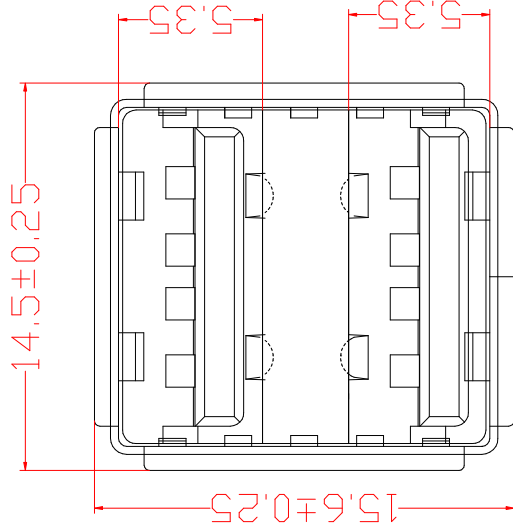
- 1. 额定电流: Current Rating  
1.5A/contact terminal
- 2. 额定电压: Voltage Rating  
30V DC
- 3. 接触阻抗: Contact Resistance  
30 milliohms MAX
- 4. 耐电压: Dielectric Withstanding Voltage:  
500 V AC AT Sea Level
- 5. 绝缘阻抗: Insulation Resistance:  
1000MEGA ohms MIN

物理性能: Mechanical:

- 1. 插拔力: Connector Mate and Unmate Force  
Mate force: 3.57kgf(MAX)  
Unmate force: 1.02kgf(MIN)
- 2. 端子保持力: Terminal Retention  
1.2kgf(MIN)

原材料: Material:

- 1. 塑胶: Housing:  
Hing Temperature Thermoplastics,  
PBT White/Black
  - 2. 端子: Contact: Copper Alloy C2680
  - 3. 外壳: Shell: Copper Alloy C2680/SPCC
- 电镀: Finish:
- 1. 端子: Contact: Plated Gold in Mating Area:  
Tin On Solder Tails
  - 2. 外壳: Shell:  
Nickel Plating



RBCOMMENDBD P. C. B PATTBRN LAY OUT

RBCOMMENDBD P. C. B PATTBRN LAY OUT

UNLESS OTHERWISE

SPECIFIED TOLERANCE

- .X ±0.20
- .XX ±0.15
- .XXX ±0.10
- ANG. ±2°

DRAWN

H.Q.huocv

APPROVED

DATE

2011.03.18

UNIT

MM

SCALE

3/1

SIZE

A4

TITLE

USB-AF

双层直插10.5MM无脚短端

PART NO.

SHK-20129

DOC. NO.

REV.

A

深圳市顺宏康科技有限公司

