

规格说明: Specifications:

电气特性: Electrical:

1. 额定电流: Current Rating
1.5A/contact terminal
2. 额定电压: Voltage Rating
30V DC
3. 接触阻抗: Contact Resistance
30 milliohms MAX
4. 耐电压: Dielectric Withstanding Voltage:
500 V AC AT Sea Level
5. 绝缘阻抗: Insulation Resistance:
1000MEGA ohms MIN

物理性能: Mechanical:

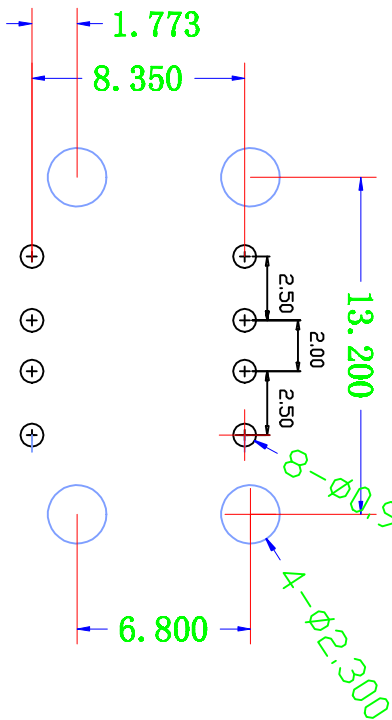
1. 插拔力: Connector Mate and Unmate Force
Mate force: 3.57kgf(MAX)
Unmate force: 1.02kgf(MIN)
2. 端子保持力: Terminal Retention
1.2kgf(MIN)

原材料: Material:

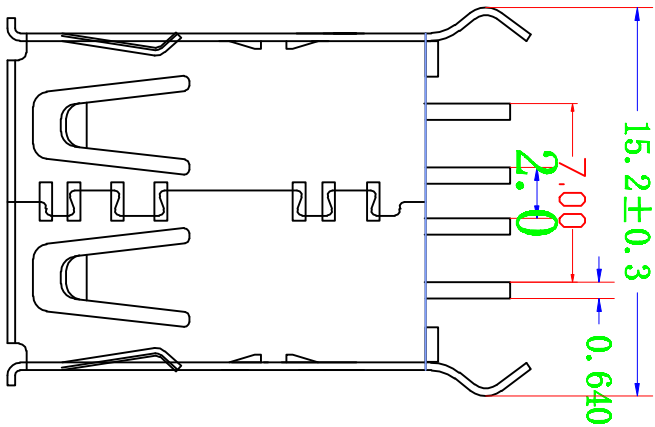
1. 塑胶: Housing:
Hing Temperature Thermoplastics,
PBT White/Black
2. 端子: Contact: Copper Alloy C2680
3. 外壳: Shell: Copper Alloy C2680/SPCC

电镀: Finish:

1. 端子: Contact: Plated Gold in Mating Area;
2. 外壳: Shell: Tin Dn Solder Tails
Nickel Plating



RECOMMENDED P.C.B PATTERN LAY OUT



深圳市顺宏康科技有限公司

RECOMMENDED P.C.B PATTERN LAY OUT

DRAWN H.Q.huocuy

UNLESS OTHERWISE SPECIFIED TOLERANCE

- .X ±0.20
- .XX ±0.15
- .XXX ±0.10
- ANG. ±2°

APPROVED

DATE 2011.03.18

TITLE USB AF 双层直插17.0MM弯脚

SCALE 3/1

PART NO. SHK-20130

UNIT MM

SIZE A4

DOC. NO.

REV. A