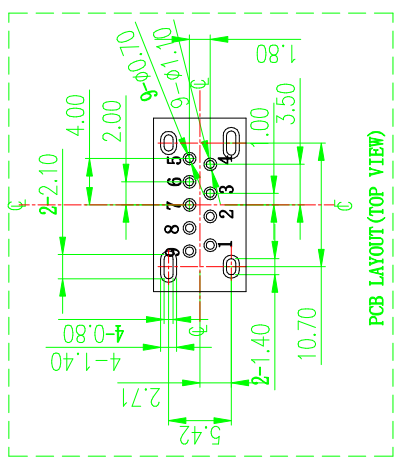
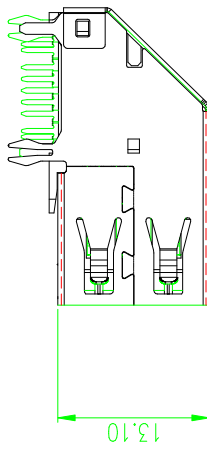
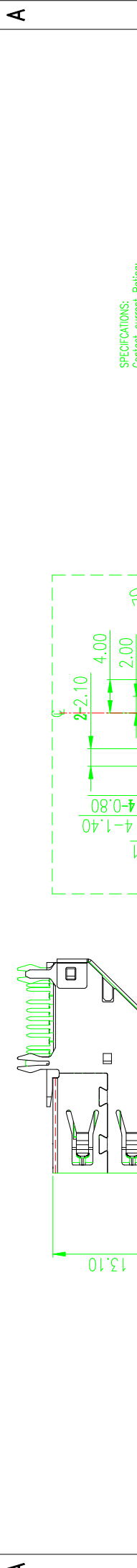
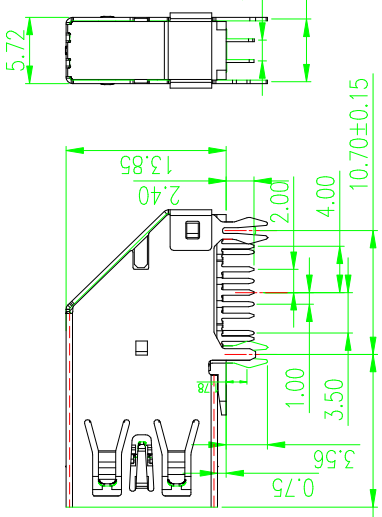
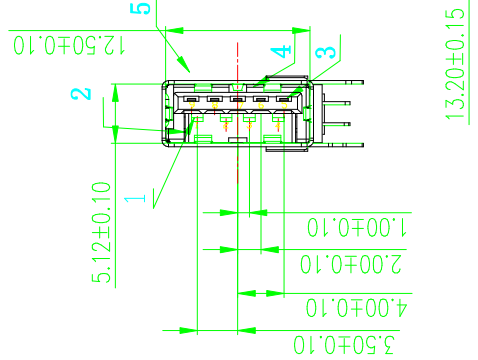


| | | | | | |
|-----|----|----------|------|-------|------|
| 1 | 2 | 3 | 4 | 5 | 6 |
| REV | EC | DESCRIPT | DRAW | CHECK | DATE |
| A0 | | | | | |

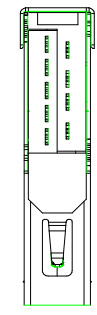
RoHS Compliant



SPECIFICATIONS:
 Contact current Rating: 1.8 Amperes for pin1&pin4.
 0.25 Amperes other contacts
 Dielectric Withstanding Voltage:AC 100V(RMS)
 Insulation resistance:100Megohms Minimum.
 Contact Resistance: 30mΩ Max for pin1&pin4
 50mΩ Max for other contacts
Mechanical Characteristics:
 Mating Force:35 Newtons.Maximum
 Unmating Force:10 Newtons.Minimum.
MATERIAL: 8N Min After Durability
 Housing: PBT+30%GF 94V-0 COLOR:BLUE
 Contact: copper alloy(T=0.25mm)
 Shell: SUS
PLATING:
 Contact: Au Plated on contact area
 Tin Plated on solder area
 Nickel underplating over all
 Shell: Nickel Plated
 operating Temperature:-55to+85°



| ITEM | PART NAME | QTY | REMARK |
|------|--|-----|-------------------------|
| 1 | 4P Semi- HH-Whg LCP | 1 | Black &Blue UJ94V-0 |
| 2 | manufactured Goods CH-HadCOPPER ALLOY | 4 | T=0.25 Plating Gold/Tin |
| 3 | 5P Semi- HH-Whg LCP | 1 | Black &Blue UJ94V-0 |
| 4 | manufactured Goods CH-HadCOPPER ALLOY | 5 | T=0.25 Plating Gold/Tin |
| 5 | Shell SUS304-1/2H | 1 | T=0.3 |



| | | | | | |
|------------|----------|---------|----------|------------|-----------|
| U-ITS | SCALE | REV | SHEET | DATE | |
| mm | 1:1 | A0 | 1-F1 | 2011 02 11 | |
| GENERAL | DR | CHK | APPD | MAT | SIZE |
| T-LERA-GE | LI JI LI | U UE JU | Kev'h ~U | L | A4 |
| 0 ±0 30 | | | | SEE TABLE | SEE TABLE |
| 0 0 ±0 25 | | | | A | SEE TABLE |
| 0 00 ±0 25 | | | | | |
| 0 0 ° 34° | | | | | |
| 0 0 ° 32° | | | | | |

深圳市顺宏康科技有限公司

TITLE: U B 3S0 A F 90度无卷边 SHIK-30131