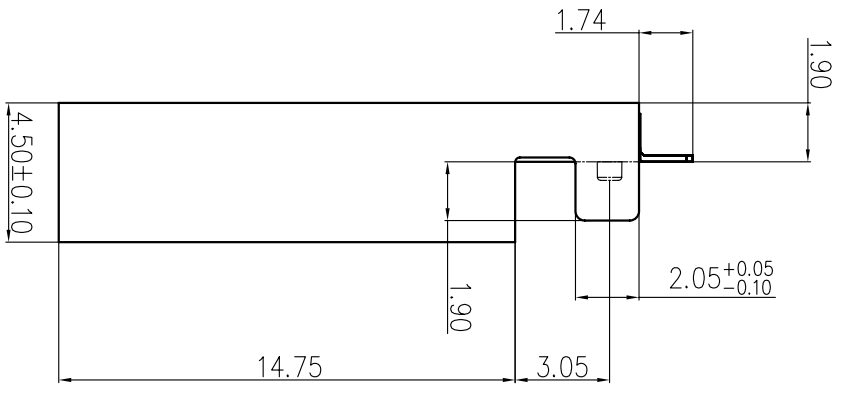
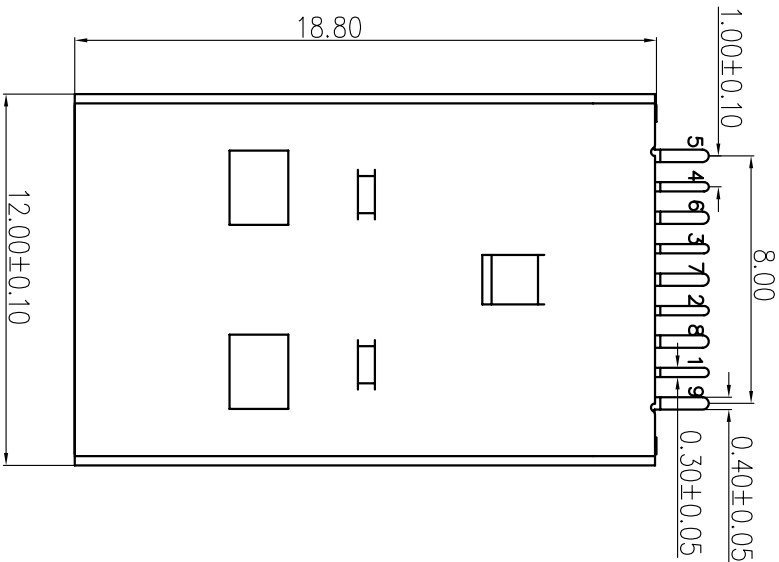


Remark:
 1.MATERIAL:
 1.1 Housing:thermoplastic plastics.
 1.2 terminals:Copper Alloy
 1.3 Shell:Copper Alloy/SPCC.

2.Characteristics:
 2.1 Rating Voltage : 30V AC.
 2.2 Rating Current:PIN1&PIN4(Vbus&Corresponding ground PIN)
 1.8A MAX Other PINS 0.25A min.
 2.3 Contact Resistance:PIN1&PIN4:30 mΩ MAX. Other PINS: 50 mΩ
 2.4 Insulation Resistance:100 MΩ MIN.
 2.5 Withstanding Voltage:AC 100V between adjacent contacts
 2.6 Mating force: 3.57KgF MAX(35N MAX)
 2.7 Extraction force:1KgF Min(9.8N Min)
 2.8 Life test:1500Cycles MIN.
 2.9 Temperature Range: -30°C~+80°C.



- U318-012X-XXXXX1
- 1:Iron alloy
 - Ni plating
 - 5:Copper alloy
 - Ni plating
 - 1: Au 1u"
 - 3: Au 3u"
 - 5: Au 5u"
 - 7: Au 10u"
 - 8: Au 15u"
 - A: Au 30u"
 - 1: PA66
 - 2: PBT
 - 6: LCP
- 1: tray
 - 2: Tube
 - 8: Tape&Reel
 - 9: Tape&Reel+Mylar
 - 1: Black
 - 7: Blue 300C
 - 8: Blue 300C-1
 - C: Blue 300C-2
 - E: Blue 300C-3
 - 9: Carbon black+25C

Pin Number	Signal Name	Pin Number	Signal Name
1	VBUS	5	SSRX-
2	D-	6	SSRX+
3	D+	7	GND
4	GND	8	SSTX-
	Shell	9	SSTX+

深圳市顺宏康科技有限公司

PART NAME: USB3.0-A型贴片式

TOLERANCE UNLESS OTHERWISE SPECIFIED		XXX ±0.10	X ±3
		XX ±0.20	X ±2
		.X ±0.30	.XX ±2
APPROVED		PART No:	SHK30140
CHECKED		PART NAME:	USB3.0-A型贴片式
DRAWN	pengchaoyong	PROJECTION:	
DATE	2014.09.28	UNIT:	mm
		SCALE	1:1
		SHEET	1 OF 1
		REV.	A