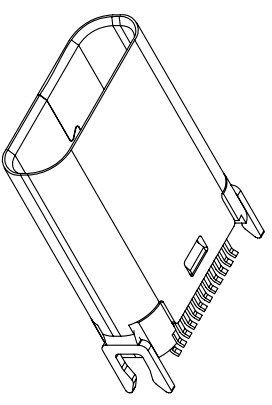
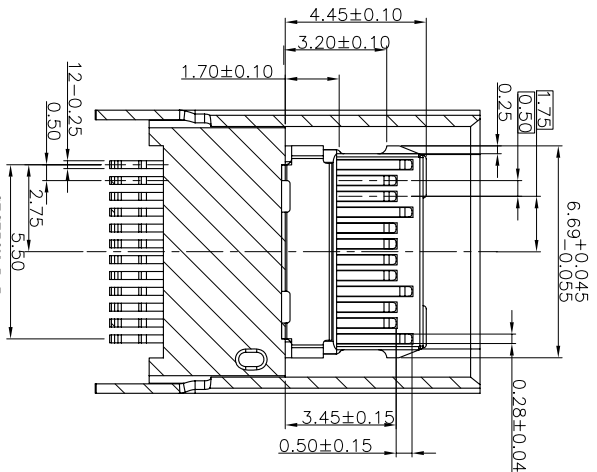
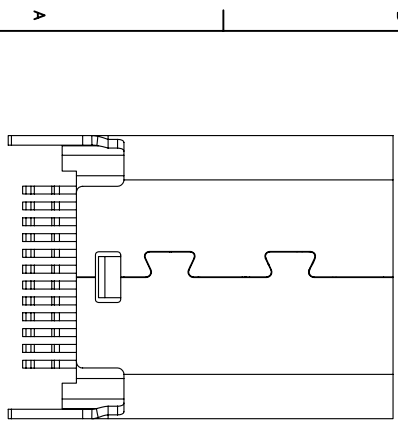
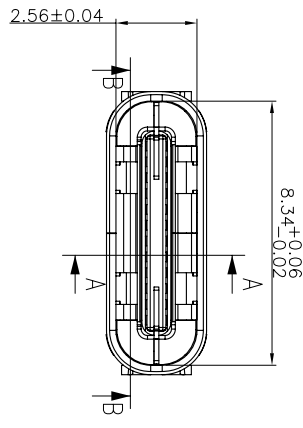
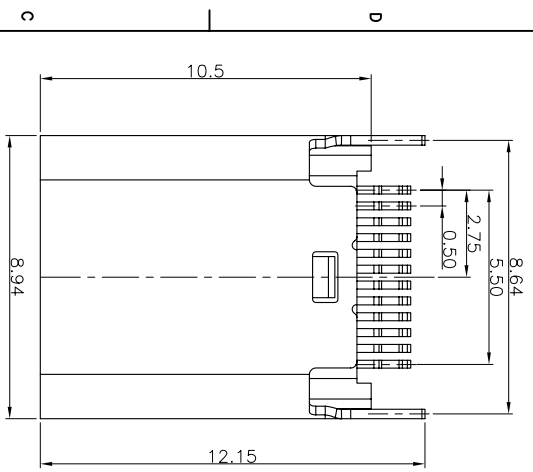
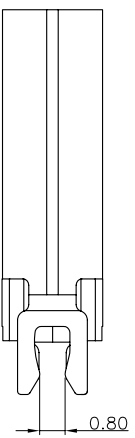
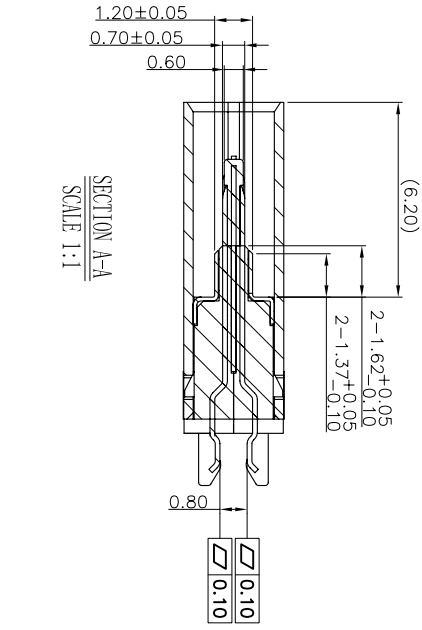


REV	LTR	DESCRIPTION	DATE	APPROVED
A0				

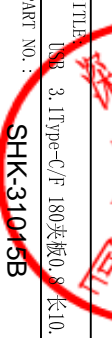
NOTES:

1. MATERIAL:
MOLDING: LCP UL94 V-0
CONTACT: COPPER ALLOY.
GOLD PLATED 30u" Min ON CONTACT AREA, 100u"
Min TIN (LEAD FREE) ON SOLDER AREA,
50u" NICKEL PLATING OVER ALL.
SHILD: SUS304-H, T=0.30±0.03mm
SHILD: SUS304-H, T=0.12±0.03mm
2. MECHANICAL:
INSERTION: 5~20N.
EXTRACTION: 8~20N.
DURABILITY: 10000 CYCLES
3. ELECTRICAL:
CURRENT: 5A MIN FOR VBUS;
0.25A MIN FOR OTHER.
VOLTAGE: 5VAC MAX
WITHSTANDING VOLTAGE: 100V AC.
CONTACT RESISTANCE: 40mΩ MAX.
INSULATION RESISTANCE: 100MΩ MIN.
4. ENVIRONMENTAL
TEMPERATURE RANGE -55°C ~ +85°C



TOLERANCES	.X ±0.30
.XX ±0.20	
.XXX ±0.10	
ANGLES ±1.00°	
APPD:	
PART NO.:	SHK-31015B
TITLE:	UNR 3.1Type-C/F 180夹板0.8*长10.50母座成品
DRAWING NO.:	036-00*

深圳市顺宏康科技有限公司



CHECK:	LTY	REV:	A/0	SIZE:	A4	UNIT:	M M	SCALE:	1:1	SHEET:	1/1
--------	-----	------	-----	-------	----	-------	-----	--------	-----	--------	-----