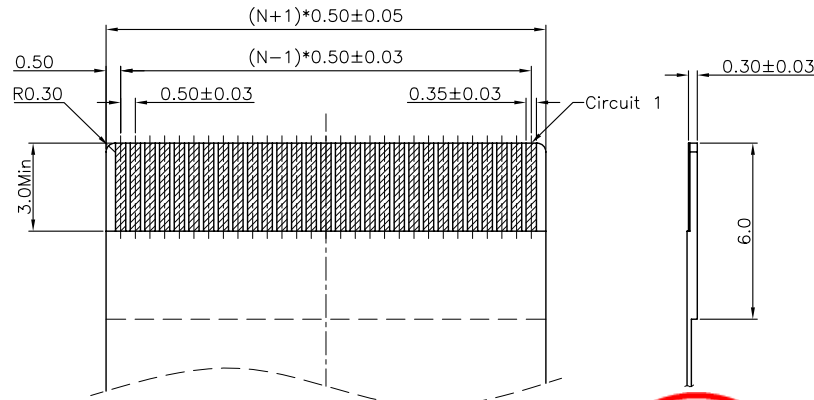
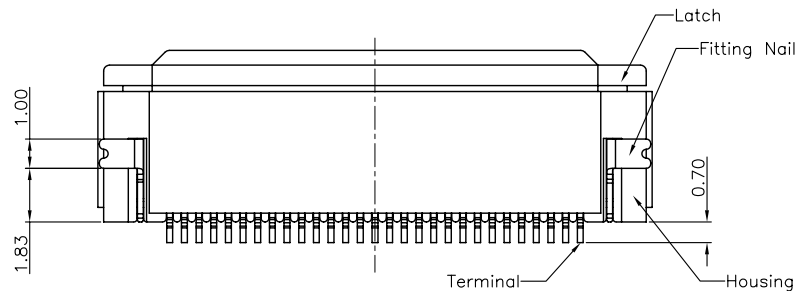
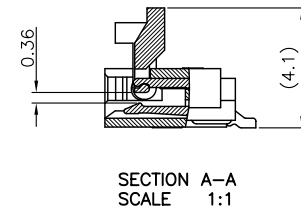
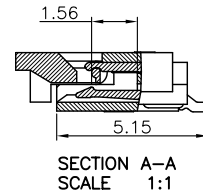
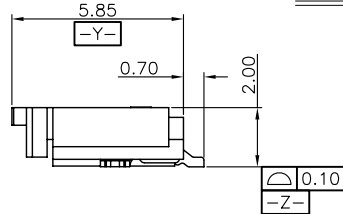
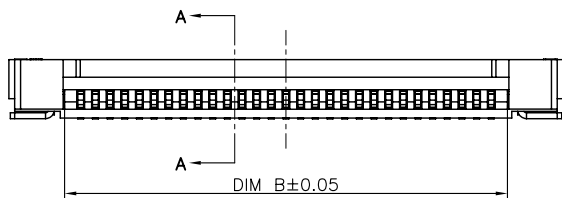


| CKTS | DIM A | DIM B | DIM C |
|------|-------|-------|-------|
| 4    | 1.50  | 2.60  | 6.40  |
| 5    | 2.00  | 3.10  | 6.90  |
| 6    | 2.50  | 3.60  | 7.40  |
| 7    | 3.00  | 4.10  | 7.90  |
| 8    | 3.50  | 4.60  | 8.40  |
| 9    | 4.00  | 5.10  | 8.90  |
| 10   | 4.50  | 5.60  | 9.40  |
| 11   | 5.00  | 6.10  | 9.90  |
| 12   | 5.50  | 6.60  | 10.40 |
| 13   | 6.00  | 7.10  | 10.90 |
| 14   | 6.50  | 7.60  | 11.40 |
| 15   | 7.00  | 8.10  | 11.90 |
| 16   | 7.50  | 8.60  | 12.40 |
| 17   | 8.00  | 9.10  | 12.90 |
| 18   | 8.50  | 9.60  | 13.40 |
| 19   | 9.00  | 10.10 | 13.90 |
| 20   | 9.50  | 10.60 | 14.40 |
| 21   | 10.00 | 11.10 | 14.90 |
| 22   | 10.50 | 11.60 | 15.40 |
| 23   | 11.00 | 12.10 | 15.90 |
| 24   | 11.50 | 12.60 | 16.40 |
| 25   | 12.00 | 13.10 | 16.90 |
| 26   | 12.50 | 13.60 | 17.40 |
| 27   | 13.00 | 14.10 | 17.90 |
| 28   | 13.50 | 14.60 | 18.40 |
| 29   | 14.00 | 15.10 | 18.90 |
| 30   | 14.50 | 15.60 | 19.40 |
| 31   | 15.00 | 16.10 | 19.90 |
| 32   | 15.50 | 16.60 | 20.40 |
| 33   | 16.00 | 17.10 | 20.90 |
| 34   | 16.50 | 17.60 | 21.40 |
| 35   | 17.00 | 18.10 | 21.90 |
| 36   | 17.50 | 18.60 | 22.40 |
| 37   | 18.00 | 19.10 | 22.90 |
| 38   | 18.50 | 19.60 | 23.40 |
| 39   | 19.00 | 20.10 | 23.90 |
| 40   | 19.50 | 20.60 | 24.40 |
| 41   | 20.00 | 21.10 | 24.90 |
| 42   | 20.50 | 21.60 | 25.40 |
| 43   | 21.00 | 22.10 | 25.90 |
| 44   | 21.50 | 22.60 | 26.40 |
| 45   | 22.00 | 23.10 | 26.90 |
| 46   | 22.50 | 23.60 | 27.40 |
| 47   | 23.00 | 24.10 | 27.90 |
| 48   | 23.50 | 24.60 | 28.40 |
| 49   | 24.00 | 25.10 | 28.90 |
| 50   | 24.50 | 25.60 | 29.40 |
| 51   | 25.00 | 26.10 | 29.90 |
| 52   | 25.50 | 26.60 | 30.40 |
| 53   | 26.00 | 27.10 | 30.90 |
| 54   | 26.50 | 27.60 | 31.40 |
| 55   | 27.00 | 28.10 | 31.90 |
| 56   | 27.50 | 28.60 | 32.40 |
| 57   | 28.00 | 29.10 | 32.90 |
| 58   | 28.50 | 29.60 | 33.40 |
| 59   | 29.00 | 30.10 | 33.90 |
| 60   | 29.50 | 30.60 | 34.40 |



- Note:**
- Material:
    - Housing: thermoplastic high temp. UL94V-0; Color: natural.
    - Latch: thermoplastic high temp. UL94V-0; Color: black.
    - Terminal: copper alloy T=0.20mm
    - Fitting Nail: copper alloy T=0.20mm
  - Finsh:
    - Terminal: Underplating: matt Tin overall.
    - Fitting Nail: Underplating: matt Tin overall.
  - Product must comply HF RoHS specification.

**PART NO. SPEC**  
 AFCO2-SXX X X X-HF

NO. OF CKTS: [ ]  
 CONTACT TYPE: [ ]  
 PLATING CODE: [ ]

PACKING CODE:  
 A:Tape & Reel  
 B:Tray package  
 C:Tube  
 E:Tape & Reel with Mylar  
 F:Box with Mylar  
 G:Tube with Mylar

1:GOLD FLASH 1u"  
 2:GOLD FLASH 2u"  
 3:GOLD FLASH 3u"  
 C:MATT-Tin 90-120u"

Halogen Free

**CUSTOMER DRAWING**

深圳市顺宏康科技有限公司

Product Name (产品名称): 0.5Pitch H=2.0 FPC Easy-on CONN. R/A SMT TYPE(G)  
 Product No (产品料号): AFCO2-S\*\*FCA-HF SHK-10265

Tolerance Unspecified (未注公差): A4  
 Unit (单位): MM  
 Scale (比例): 1:1

Project View (投影视角): 1 OF 1  
 Rev (版本): A

Designer (设计): Steven 12/23'11  
 Checked (审核): Allan 12/23'11  
 Approved (核准):

| Rev 版本 | Change Description 变更内容 | Date 日期    | Revisor 制/修订人 |
|--------|-------------------------|------------|---------------|
| A      | 初版发行                    | 2011/12/23 | Allan         |