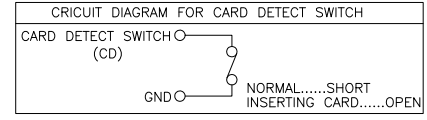
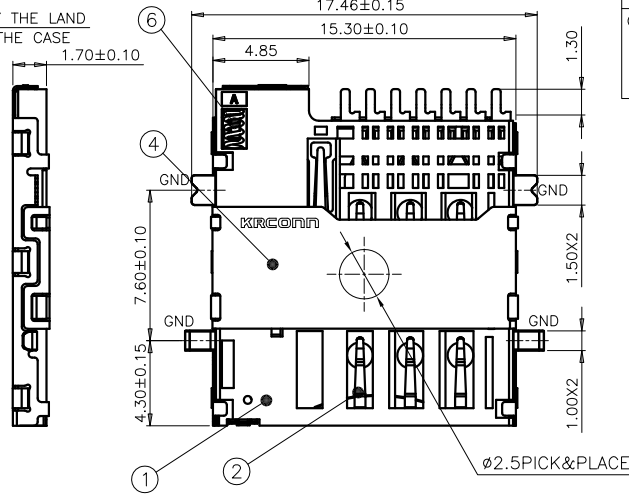
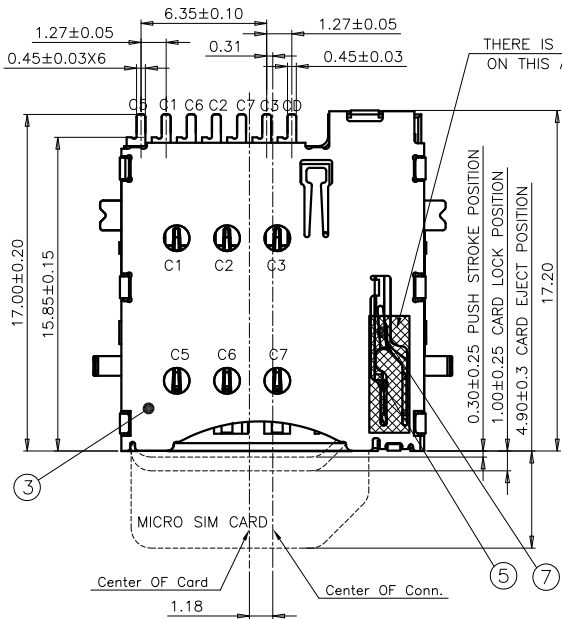
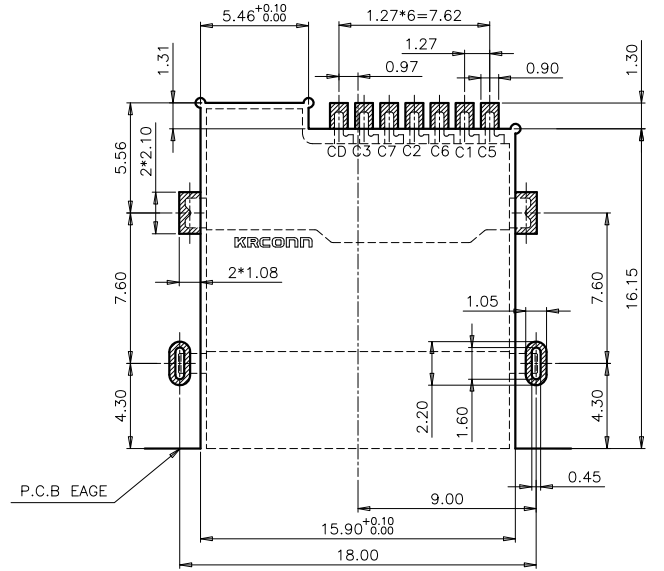


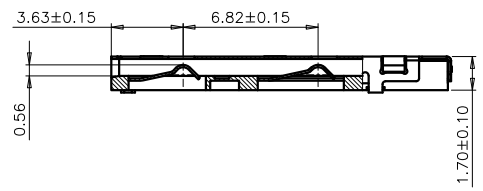
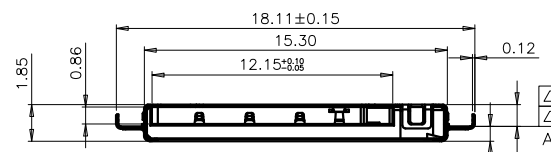
REV.	ECN NO OR DESCRIPTION	REVISED	DATE
1	PROPOSE ONLY	ALLEN	2018.01.07



THIS AREA SHOULD BE FREE OF ANY CONDUCTIVE TRACES
SMT SOLDER AREA
NO PATTERN AREA (TOLERANCE: ±0.05)

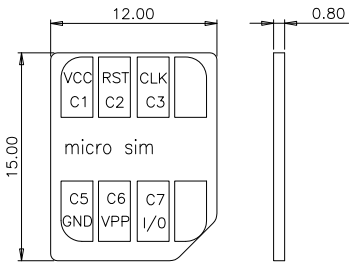
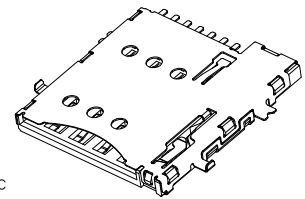


RECOMMENDED PCB LAYOUT TOP VIEW (TOLERANCE:±0.05)
RECOMMENDED MATAL MASK T=0.12MM



NOTES:

- MATERIAL:
HOUSING:HI-TEMP. PLASIC UL 94V-0
CONTACT:COPPER ALLOY
SHELL:STAINLESS STEEL
- PLATING :
TERMINAL:
CONTACT AREA: Au GOLD FLASH.
SOLDER AREA: AU GOLD FLASH.
UNDER PLATE: NICKEL.
SHELL: NICKEL PLATED OVER ALL.
SOLDER AREA: GOLD FLASH.
- SPECIALITY:
3.1 Rated current:1.0A
3.2 Rated voltage:30V
3.3 Contact Resistance:50mΩ MAX
3.4 Insulation Resistance:1000MΩ MIN 500V DC
3.5 Dielectric withstanding voltage: 500V AC.
3.6 Solder ability:260+0/-5?? 30±10s.
3.7 Durability:5000 Cycles Min.
3.8 Operating condition:Temperature:-40°C~ +85°C
Humidity 80% R.H MAX



Connector Pin Assignment

No.	Pin Name	Description
①	C1	Vcc of SIM
②	C2	RST of SIM
③	C3	CLK of SIM
④	C5	GND of SIM
⑤	C6	Vpp of SIM
⑥	C7	I/O of SIM
⑦	SW	Detection Switch

ITEM	DESCRIPTION	MATERIAL	FINSH	Q'TY
⑦	HOOK	SUS304	NO PLATING	1
⑥	SPRING	SJS	NO PLATING	1
⑤	SLIDE	PA46	GLASS FILLED(OR EQUAL), UL 94V-0, BLACK	1
④	DWN SHELL	STAINLESS STEEL	NO PALTING	
③	UP SHELL	STAINLESS STEEL	GOLD FLASH PLATED ON SOLDER TAIL AREA. NICKEL 30~100u" UNDER PLATED OVER ALL	1
②	TERMINAL	COPPER ALLOY	GOLD PLATED ON CONTACT AREA"A" SEE "PLATED CODE NOTE" GOLD FLASH PLATED ON CONTACT AREA"B" AND SOLDER TAIL AREA NICKEL 50~150u" UNDER PLATED OVER ALL	1
①	HOUSING	LCP	GLASS FILLED(OR EQUAL), UL 94V-0, BLACK	1

UNLESS OTHERWISE SPECIFIED TOLERANCES
DECIMALS: X :±0.5 X.X :±0.20 X.XX :±0.10
ANGLES: X :±2' X.X :±1'

深圳市顺宏康科技有限公司

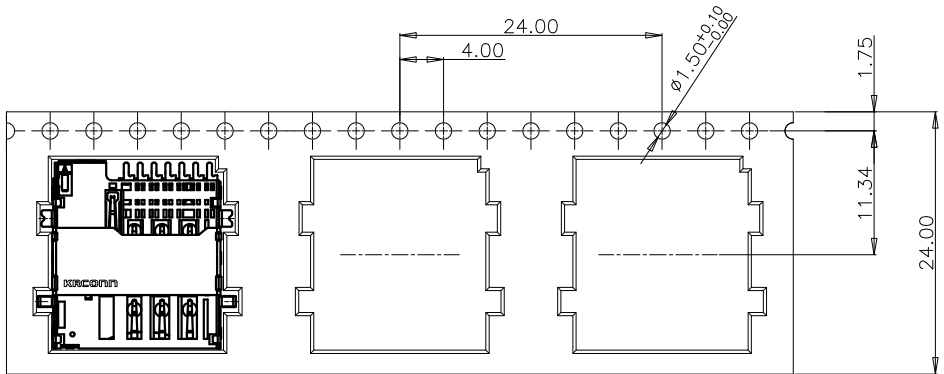
TITLE: 6Pin 1.7H PUSH PUSH Micro SIM CARD CONN.
DWN: ALLEN PART NO. SHK-10361
CHKD: KEVIN SCALE:1:1 UNIT: mm
APVD: ERIC.W SIZE: A3 SHEET:10F 1 REV: A2

CUSTOMER COPY

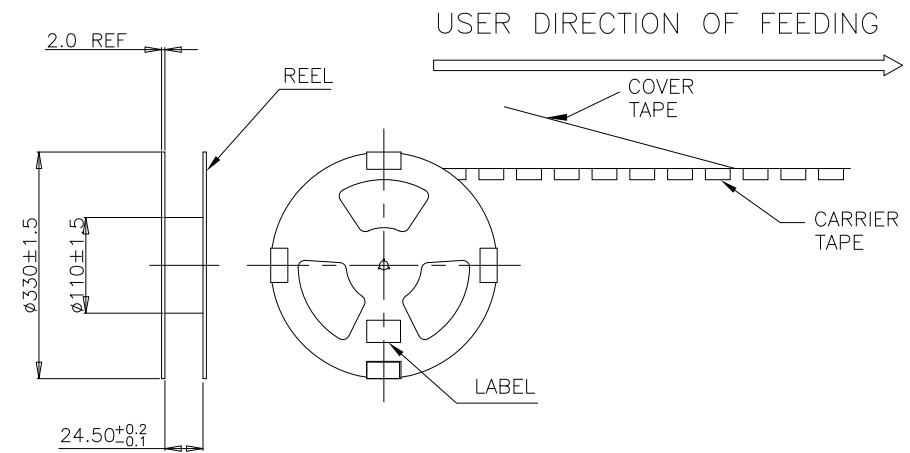
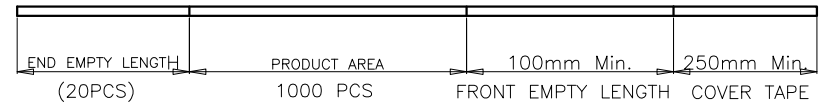
PART No.: MS 0 PP - 06 02 06- 43 GT
Micro SIM CON. G=gold flash with Detect B type
0=WITHOUT POST 43=Product Order
PP=PUSH PUSH Pin NO. 6=6Pin
06:HEIGHT 0.60mm 02=NORMAL TYPE.(LOW PCB)

REV.	ECN NO OR DESCRIPTION	REVISED	DATE
▽	PROPOSE ONLY	ALLEN	2018.01.07

← PRODUCT PACKAGING DIRECTION
 CUSTOMER TO USE DIRECTION →



产品料号	一盘产品数量	卷盘数量(N)	一箱产品数量
CONN. PART NO.	CONN. QTY./REEL	REEL QTY./CARTON	CONN. QTY./CARTON
MSOPP-060206-43GT	1000	10	10000 PCS



- 1.材料(Material): PET,THICKNESS:0.35±0.05mm,COLOUR:TRANSPARENT
- 2.产品/卷盘/数量表(PRODUCT/REEL/QTY TABLE)
- 3.包装ESD要求: $10^4 \sim 10^9 \Omega$ (包括载带, 盖带, 卷盘)

UNLESS OTHERWISE SPECIFIED TOLERANCES

DECIMALS:	ANGLES:
X :±0.5	X :±2°
X.X :±0.20	X.X :±1°
X.XX :±0.10	

深圳市顺宏康科技有限公司

TITLE	6Pin 1.7H PUSH PUSH Micro SIM CARD CONN.			
DWN	ALLEN	PART NO.	SHK-10361	
CHKD	KEVIN	SCALE:1:1	UNIT: mm	
APVD	ERIC.W	SIZE: A3	SHEET:10F 1	REV: A2

CUSTOMER COPY