

RECOMMENDED PC BOARD LAYOUT  
TOLERANCE: ±0.05[TOP VIEW]

NOTES:

- ELECTRICAL CHARACTERISTICS:
  - CURRENT RATING: 1 Amp/PIN. MAX.
  - VOLTAGE: 30V DC. MAX.
  - LOW LEVEL CONTACT RESISTANCE: 30 mOhms MAX. INITIALLY.
  - DIELECTRIC WITHSTANDING VOLTAGE: 500V AC MIN. FOR 1 MINUTE.
  - INSULATION RESISTANCE: 100MOhms MIN.. (DC 500V FOR 1 MINUTE)
- MECHANICAL CHARACTERISTICS:
  - DURABILITY: 1500 CYCLES.
  - OPERATING FORCE (INSERTING & WITHDRAWAL): 1N-10N.
- ENVIRONMENTAL CHARACTERISTICS:
  - OPERATING TEMP. RANGE: -25°C TO 85°C.
  - STORAGE TEMP.: -40°C TO 85°C.
- QUANTITY OF PRODUCTS: 1400PCS/REEL MIN.
- PLEASE CONTACT SALES REPRESENTATIVE TO VERIFY PRODUCT DETAILS.
- PART No.:

SIM SERIES S 1 SP - 15 00 06- 21 G  
 1=WITH POST Simple Type. G=gold flash  
 21=Product Order Pin NO. 06=6Pin  
 15:HEIGHT 1.5mm 00=NORMAL TYPE.

REV.	ECN NO OR DESCRIPTION	REVISED	DATE
△	PROPOSE ONLY	SIMON	2012.05.23
△	改善外壳侦测弹片错位,增加铁壳长度	SIMON	2016.12.19



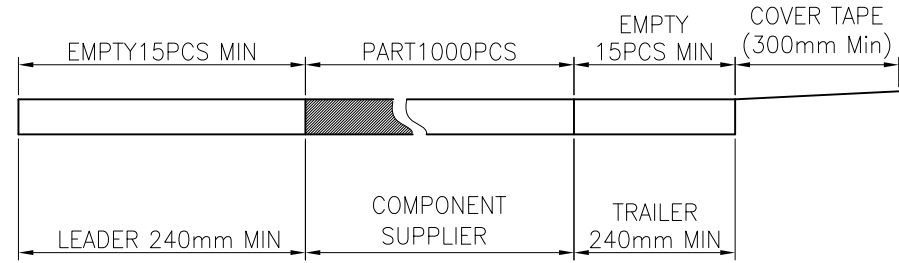
ITEM	PART NAME	Q'TY	DESCRIPTION
5	CAM	1	SUS, NO PLATING
4	LEVER	1	SUS, NO PLATING
3	SHELL	1	SUS, GOLD PLATING
2	HOUSING	1	LCP, BLACK
1	CONTACT	1	BRONZE ALLOY, GOLD PLATING

UNLESS OTHERWISE SPECIFIED TOLERANCES		<h2 style="text-align: center;">深圳市顺宏康科技有限公司</h2>			
DECIMALS:	ANGLES:				
X :±0.5	X :±2'	DWN	JOHNLE	PART NO.	SHK-10370
X.X :±0.20	X.X :±1'	CHKD	KEVIN.D	SCALE:1:1	UNIT: mm
X.XX :±0.10		APVD	SIMON.M	SIZE: A4	SHEET:10F 2
		CUSTOMER COPY			
		REV: A			

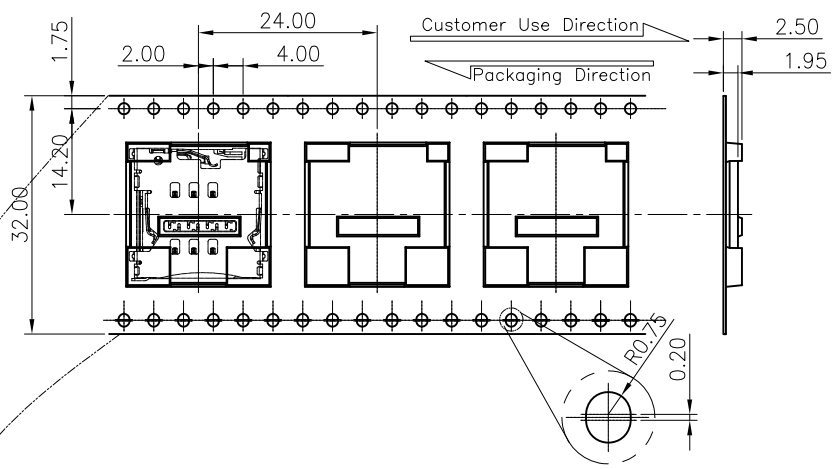
REV.	ECN NO OR DESCRIPTION	REVISED	DATE
▽	PROPOSE ONLY	ALLEN	2016.12.19

NOTES

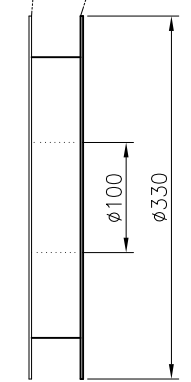
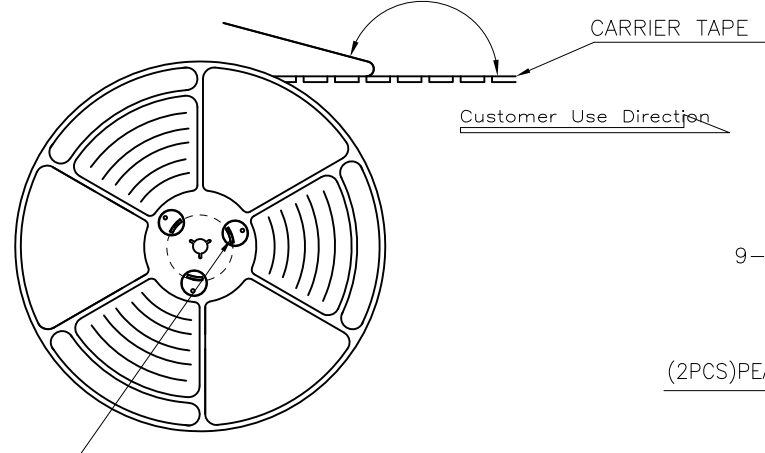
1. NUMBER OF CONNECTORS: 1000PCS/REEL
2. LEAD TAPE LENGTH



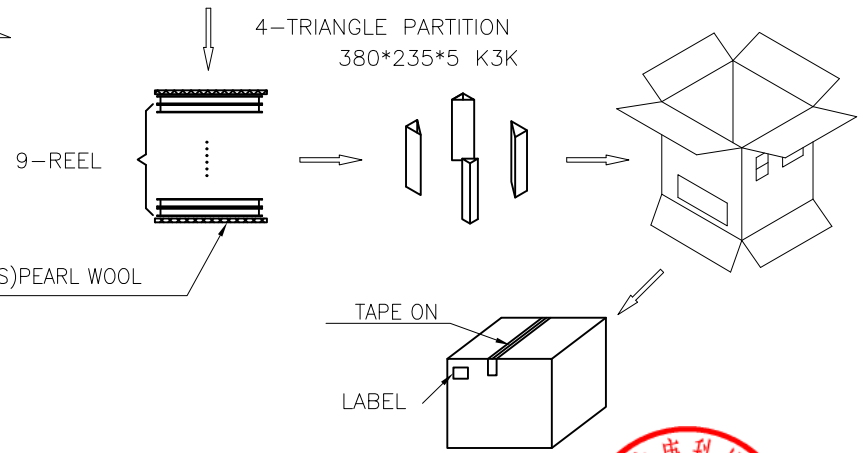
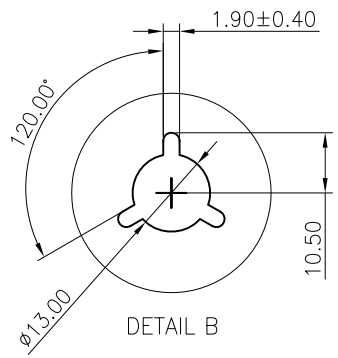
3. QUANTITY: 9000 PCS/CARTON



COVER TAPE PEELING ANGLE: 165°~180°  
PEELING FORCE: 20~130g



DETAIL B



UNLESS OTHERWISE SPECIFIED TOLERANCES		<b>深圳市顺宏康科技有限公司</b>			
DECIMALS:	ANGLES:	TITLE	Micro SIM Card 6pin CONN. HTC ONE-X 包装规范		
X : ±0.5	X : ±2°	DWN	ALLEN	PART NO.	SHK-10370
X.X : ±0.20	X.X : ±1°	CHKD	KEVIN	SCALE: 1:1	UNIT: mm
X.XX : ±0.10		APVD	ERIC.W	SIZE: A3	SHEET: 1 OF 1
CUSTOMER COPY					