

1

2

3

4

5

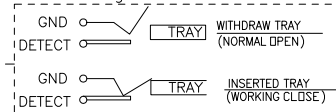
6



RoHS Compliant 2011/65/EU



Circuit Diagram For Switch



REV.	ECN NO OR DESCRIPTION	REVISED	DATE
△	PROPOSE ONLY	SIMON	2014.08.10

A

B

C

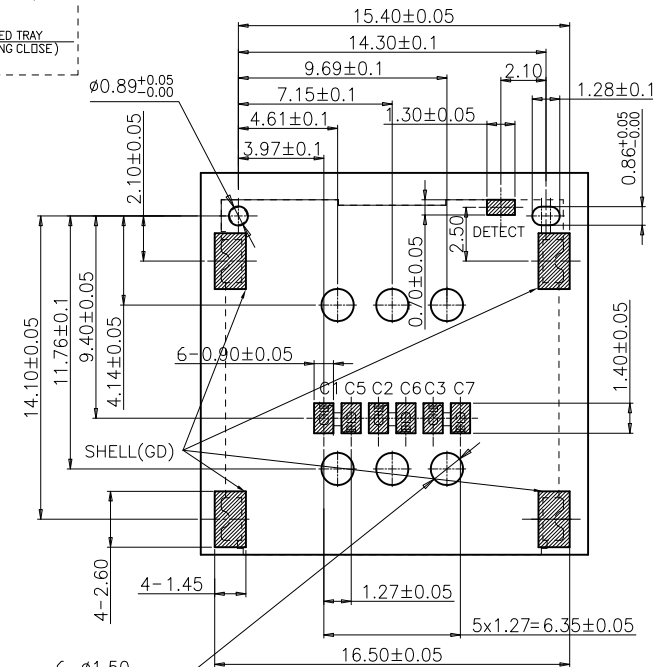
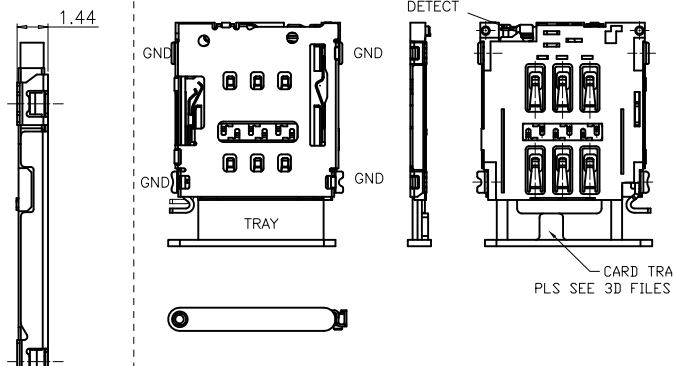
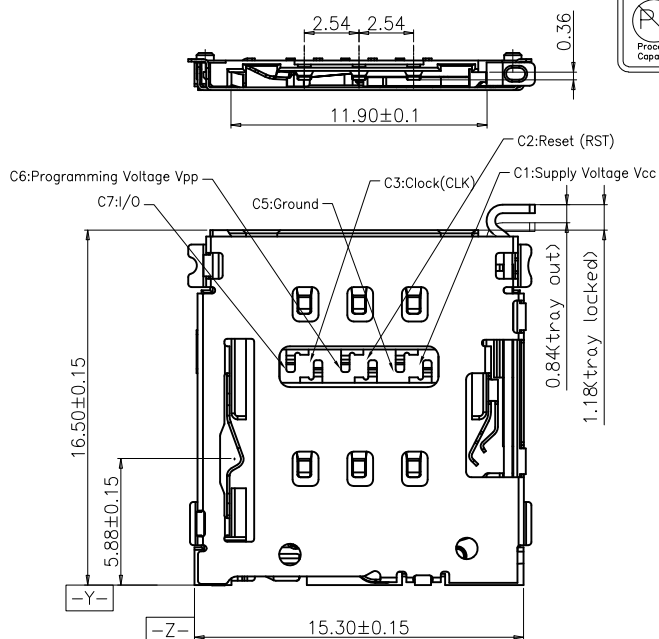
D

A

B

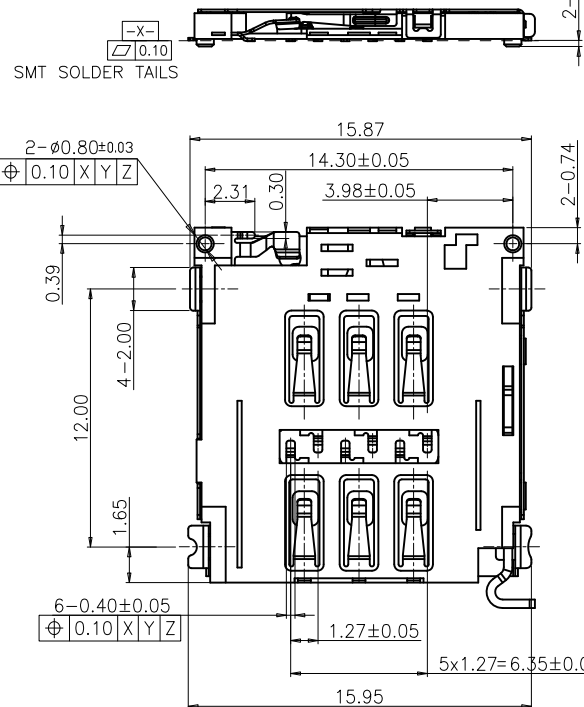
C

D



NOTES:

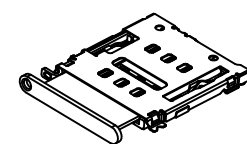
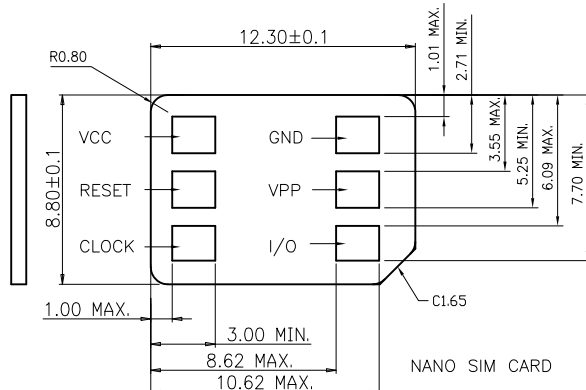
- ELECTRICAL CHARACTERISTICS:
  - 1-1. CURRENT RATING: 1 Amp/PIN. MAX.
  - 1-2. VOLTAGE: 30V DC. MAX.
  - 1-3. LOW LEVEL CONTACT RESISTANCE: 30 mOhms MAX. INITIALLY.
  - 1-4. DIELECTRIC WITHSTANDING VOLTAGE: 500V AC MIN. FOR 1 MINUTE.
  - 1-5. INSULATION RESISTANCE: 100MOhms MIN.. (DC 500V FOR 1 MINUTE)
- MECHANICAL CHARACTERISTICS:
  - 2-1. DURABILITY: 1500 CYCLES.
  - 2-2. OPERATING FORCE (INSERTING & WITHDRAWAL): 1N-10N.
- ENVIRONMENTAL CHARACTERISTICS:
  - 3-1. OPERATING TEMP. RANGE: -25°C TO 85°C. [INCLUDING TERMINAL TEMP. RISE]
  - 3-2. STORAGE TEMP.: -40°C TO 85°C.
- QUANTITY OF PRODUCTS: 1000PCS/REEL MIN.
- PLEASE CONTACT SALES REPRESENTATIVE TO VERIFY PRODUCT DETAILS.
- PART No.:



S 1 SP - 15 00 06 - 20 G

SIM SERIES | SP | 15 | 00 | 06 | 20 | G

1=WITH POST Simple Type. | 15:HEIGHT 1.5mm | G=gold flash | 21=Product Order Pin NO. 06=6Pin | 00=NORMAL TYPE.



ISO . VIEW 3D

6	DETECT	1	BRONZE ALLOY, GOLD PLATING
5	HINGE	1	SUS, NO PLATING
4	LEVER	1	SUS, NO PLATING
3	SHELL	1	SUS, GOLD PLATING
2	HOUSING	1	LCP, BLACK
1	CONTACT	1	BRONZE ALLOY, GOLD PLATING
ITEM	PART NAME	Q'TY	DESCRIPTION

UNLESS OTHERWISE SPECIFIED TOLERANCES

DECIMALS: X :±0.5 X.X :±0.20 X.XX :±0.10

ANGLES: X :±2° X.X :±1°

**深圳市顺宏康科技有限公司**

TITLE: NANO SIM Card 6pin 1.5H CONN. WITH LEVER (WITH DITECT NORMAL OPEN)

DWN JOHNLE PART NO. SHK-10372

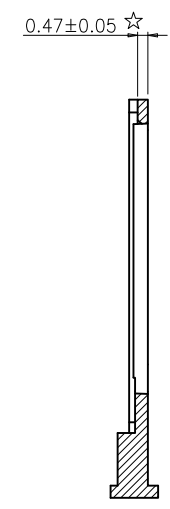
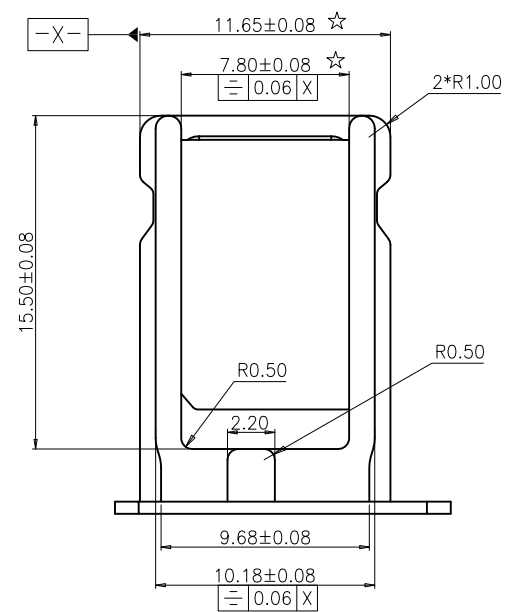
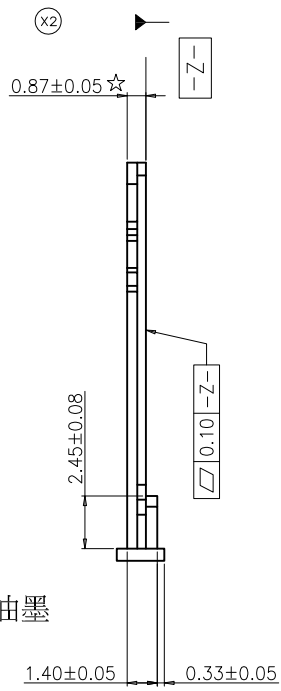
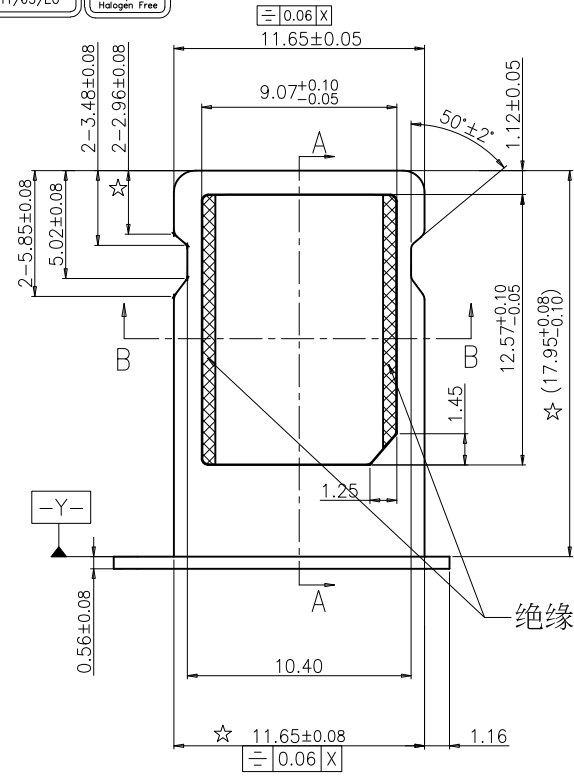
CHKD KEVIN.D SCALE:1:1 UNIT: mm

APVD SIMON.M SIZE: A4 SHEET:1OF 1 REV: A

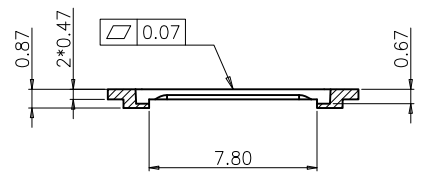
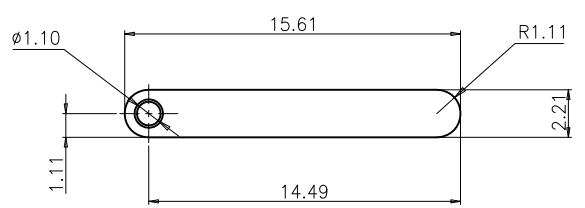
CUSTOMER COPY



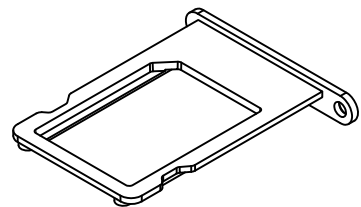
REV.	ECN NO OR DESCRIPTION	REVISED	DATE
	PROPOSE ONLY	SIMON	2014.08.10



SECTION:A-A



SECTION:B-B



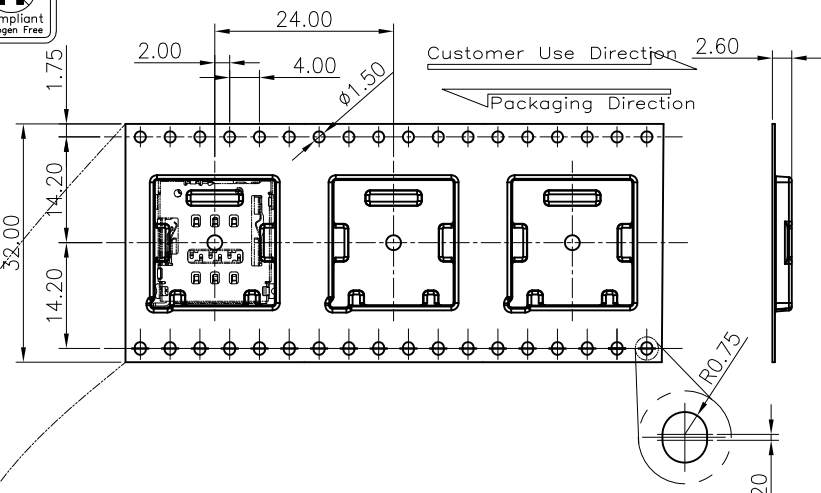
- NOTES: 1.Current Version: Rev.X2(Recommended)  
 2.材料: 粉末冶金 17-4PH F.  
 3.外觀處理: 門板面PVD/電泳, 具體需參照ID工藝文件。  
 產品表面不得有鋒利邊, 毛刺, 壓痕, 劃傷, 油污, 多料, 缺料, 扭曲變形, 裂痕等缺陷。  
 表面需做鈍化處理, 滿足48h鹽霧以及相關可靠性測試(依照《無線終端產品五金件測試規範》)  
 4.尺寸: 2D圖面未標注公差尺寸, 其公差參照公差表; 未標注尺寸, 參照3D圖檔, 其公差參照公差表;  
 帶 尺寸為重點尺寸, 要求每批次檢驗; 帶 尺寸需管控CPK, 且CPK >= 1.33;  
 未注工藝圓角, R <= 0.2mm; 未注同軸度0.1mm, 未注垂直度 0.1mm;  
 未注拔模角度為1度或按0.05mm減膠拔模; 未注同軸度0.1mm, 未注垂直度 0.1mm;  
 尺寸序號: 1~18。  
 產品表面粗糙度: Ra=1um Max.  
 5.產品需滿足(EU)WEEE和ROHS等認證要求。



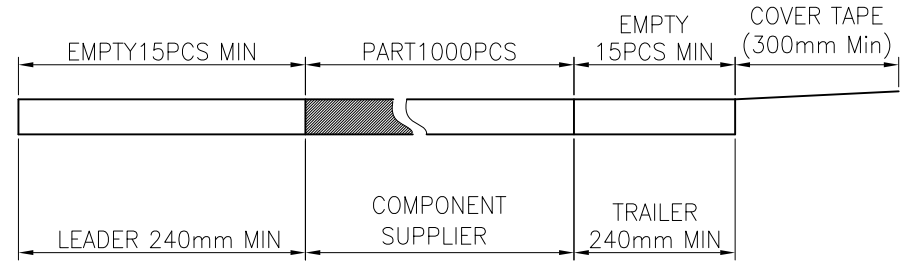
UNLESS OTHERWISE SPECIFIED TOLERANCES		深圳市顺宏康科技有限公司			
DECIMALS:	ANGLES:	TITLE	NANO SIM Card 6pin 1.5H CONN. WITH LEVER (WITH DITECT NORMAL OPEN)--TRAY		
X :±0.5	X :±2'	DWN	JOHNLE	PART NO.	SHK-10372
X.X :±0.20	X.X :±1'	CHKD	KEVIN.D	SCALE:1:1	UNIT: mm
X.XX :±0.10		APVD	SIMON.M	SIZE: A4	SHEET:1OF 1
CUSTOMER COPY					



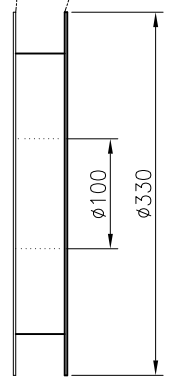
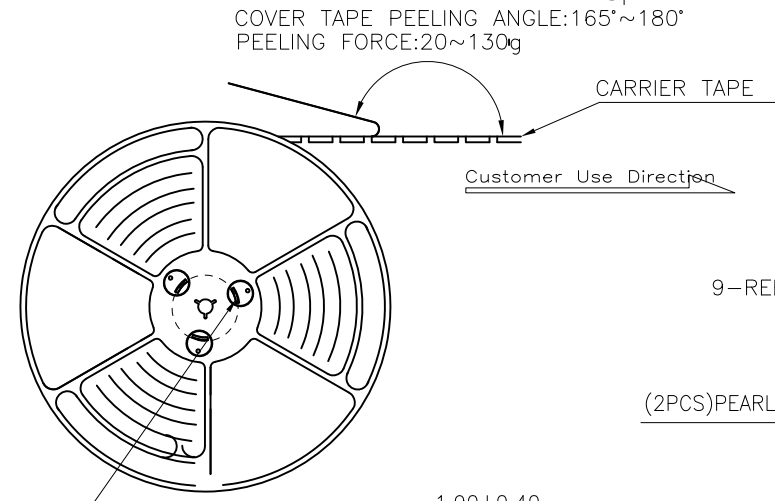
REV.	ECN NO OR DESCRIPTION	REVISED	DATE
1	PROPOSE ONLY	ALLEN	2014.08.10



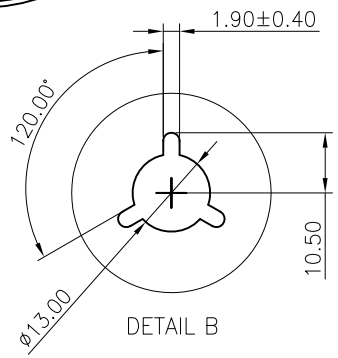
- NOTES
1. NUMBER OF CONNECTORS: 1000PCS/REEL
  2. LEAD TAPE LENGTH



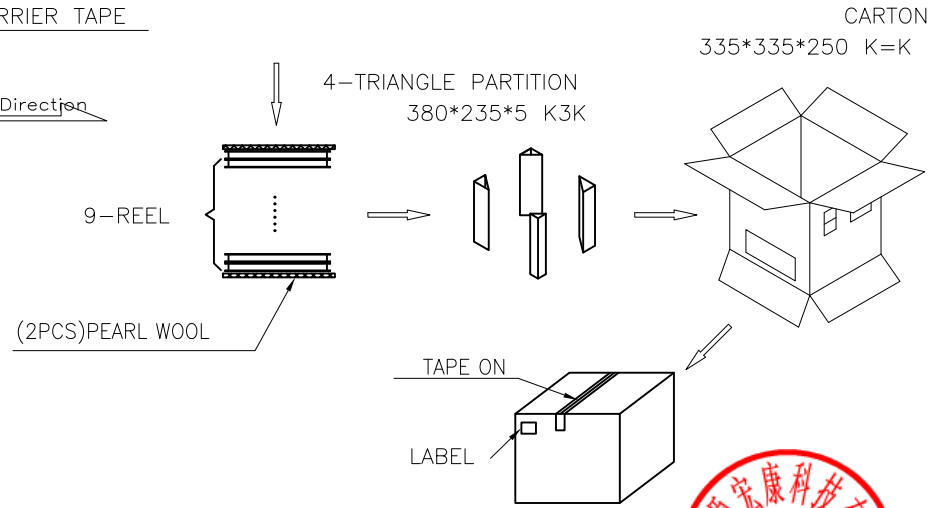
3. QUANTITY: 9000 PCS/CARTON



DETAIL B



DETAIL B



UNLESS OTHERWISE SPECIFIED TOLERANCES		<b>深圳市顺宏康科技有限公司</b>			
DECIMALS:	ANGLES:	TITLE	i5 NANO SIM Card 6pin 1.5H CONN. 包装规范		
X :±0.5	X :±2°	DWN	ALLEN	PART NO.	SHK-10372
X.X :±0.20	X.X :±1°	CHKD	KEVIN	SCALE:1:1	UNIT: mm
X.XX :±0.10		APVD	ERIC.W	SIZE: A3	SHEET:1OF 1
		REVISION: REV: A			
CUSTOMER COPY					