

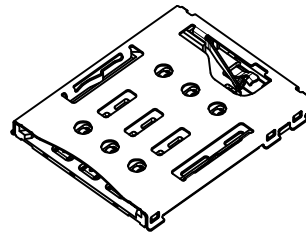
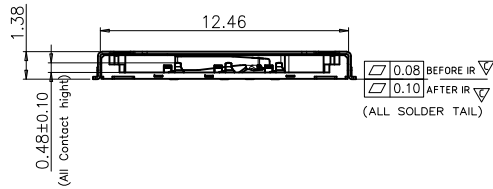
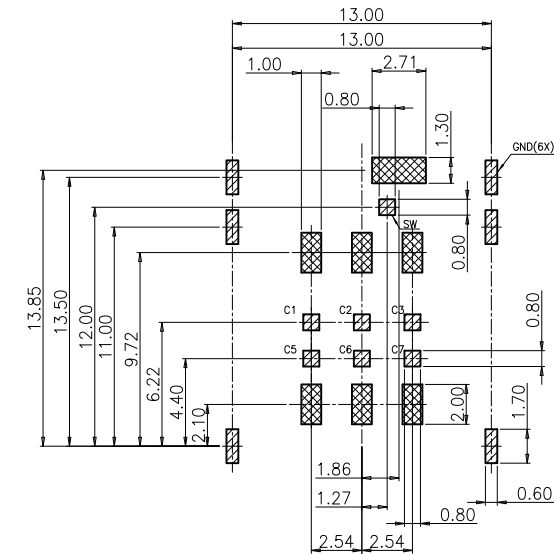
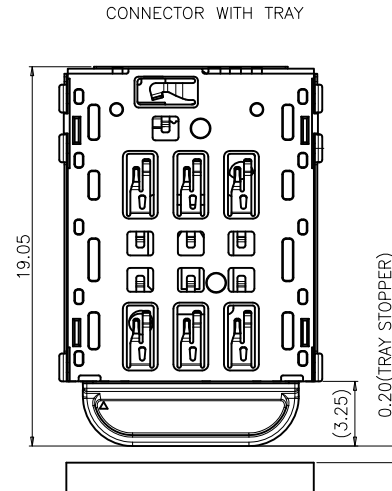
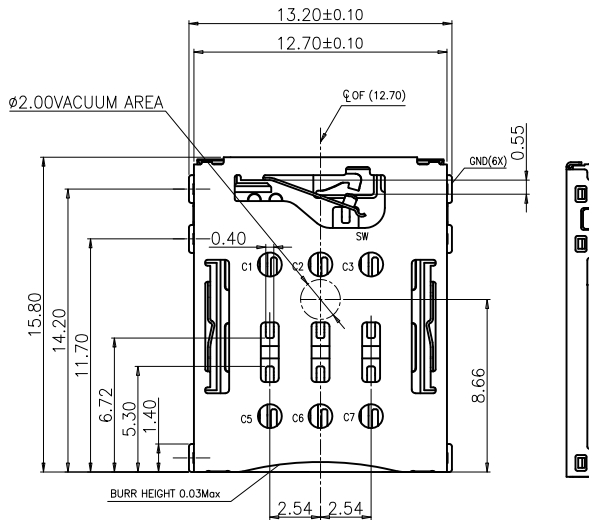


IDEAS GENERATED DRAWING. DON'T CHANGE HAND.

REV.	ECN NO OR DESCRIPTION	REVISED	DATE
△	PROPOSE ONLY	SIMON	2017.04.09

NOTES:

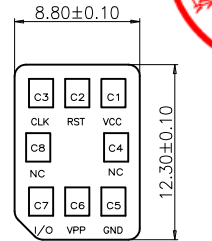
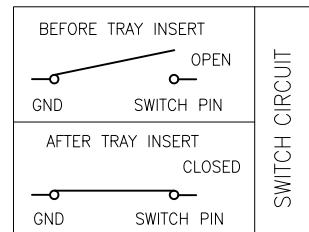
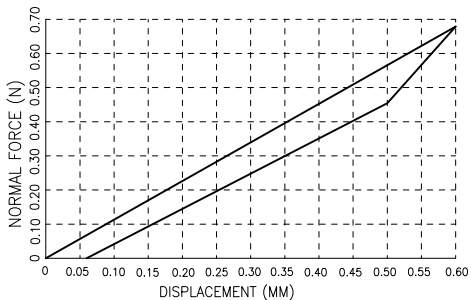
- MATERIAL:
HOUSING--THERMAL PLASTIC GLASS FILLED,UL 94V-0,BLACK
TERMINAL--COPPER ALLOY
SHELL--STAINLESS STEEL
- PLATING:
TERMINAL--SELECTED GOLD PLATED ON CONTACT AREA(SEE NOTE)
GOLD FLASH PLATED ON SOLDER TAIL AREA
NICKEL UNDER PLATED OVER ALL
SHELL-- GOLD FLASH PLATED ON SOLDER TAIL AREA
NICKEL UNDER PLATED OVER ALL



RECOMMEND P.W.BOARD PATTERN LAYOUT
SUGGEST PCB THICKNESS 0.7MM MIN

▨ PATTERN KEEP OUT AREA
▨ SOLDER AREA

TOLERANCE:±0.05



NANO SIM CARD ELECTRICAL
THICKNESS 0.67+0.03/-0.07mm



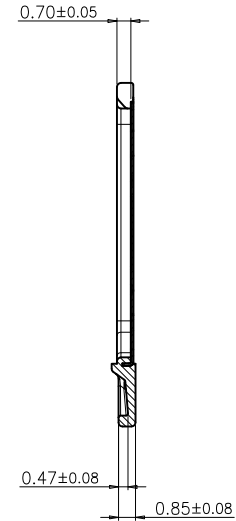
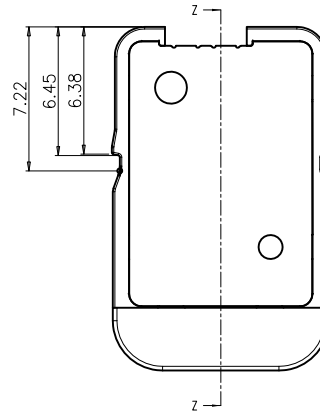
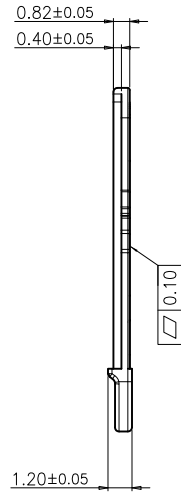
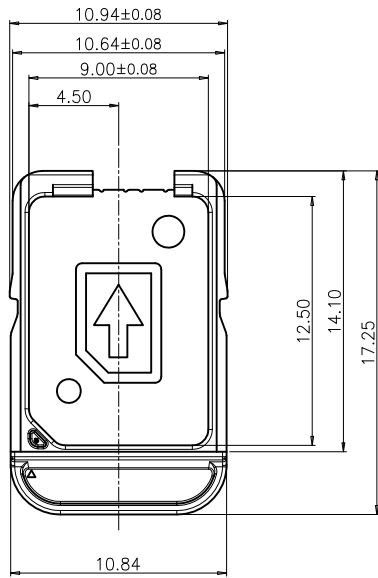
3	SHELL	1	SUS	Ni /Au plating, GOLD FLSAH ON SOLDER-TALL.
2	I/M HOUSING	1	LCP	BLACK COLOR, UL94-V-0
1	CONTACT	1	COPPER ALLOY	CONTACT AREA: Au 1~3u" Min plating. GOLD FLSAH ON SOLDER-TALL.
ITEM	PART NAME	Q'TY	MATERIAL	FINISH

UNLESS OTHERWISE SPECIFIED TOLERANCES		深圳市顺宏康科技有限公司			
DECIMALS:	ANGLES:	TITLE	Nano SIM Card(WITH TRAY) 6pin 1.38H CONN.		
X :±0.5	X :±2°	DWN	JOHNLE	PART NO.	SHK-10380
X.X :±0.20	X.X :±1°	CHKD	KEVIN.D	SCALE:1:1	UNIT: mm
X.XX :±0.10		APVD	SIMON.M	SIZE: A4	SHEET:1OF 1
		CUSTOMER COPY			



IDEAS GENERATED DRAWING. DON'T CHANGE HAND.

REV.	ECN NO OR DESCRIPTION	REVISED	DATE
△	PROPOSE ONLY	SIMON	2017.04.09



SECTION Z-Z

UNLESS OTHERWISE SPECIFIED TOLERANCES

DECIMALS:	ANGLES:
X :±0.5	X :±2°
X.X :±0.20	X.X :±1°
X.XX :±0.10	

深圳市顺宏康科技有限公司

TITLE	Nano SIM Card(WITH TRAY) 6pin 1.38H CONN.			
DWN	JOHNLE	PART NO.	SHK-10380	
CHKD	KEVIN.D	SCALE:1:1	UNIT: mm	⊕
APVD	SIMON.M	SIZE: A4	SHEET:1OF 1	REV: A

CUSTOMER COPY

