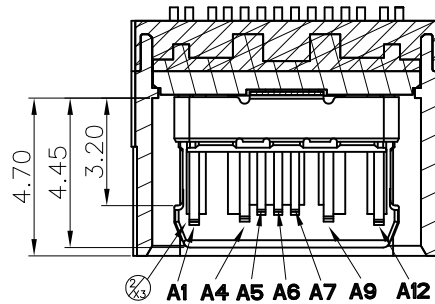
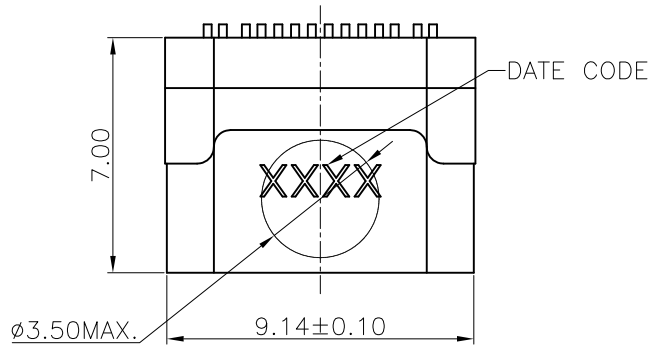




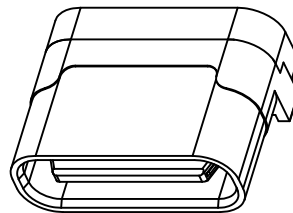
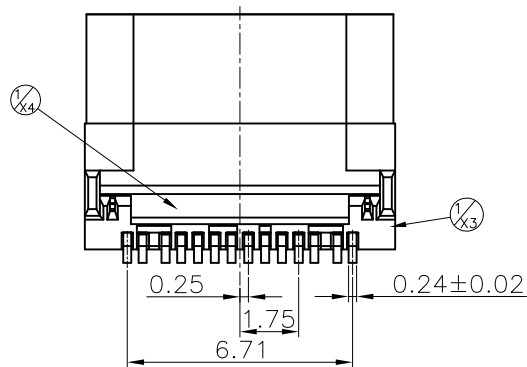
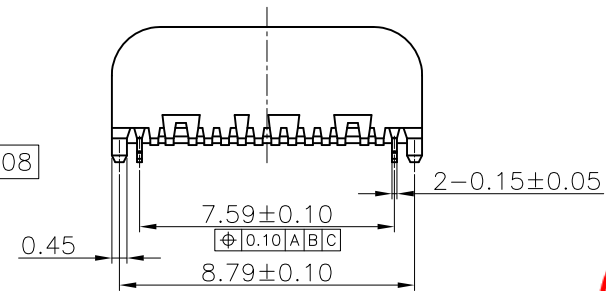
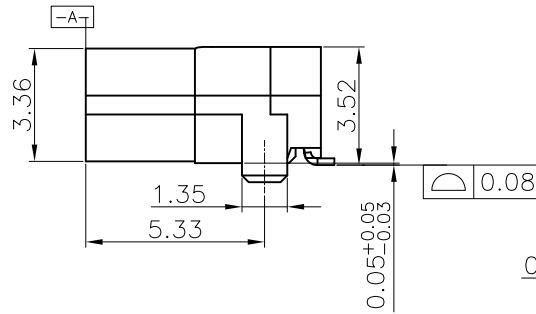
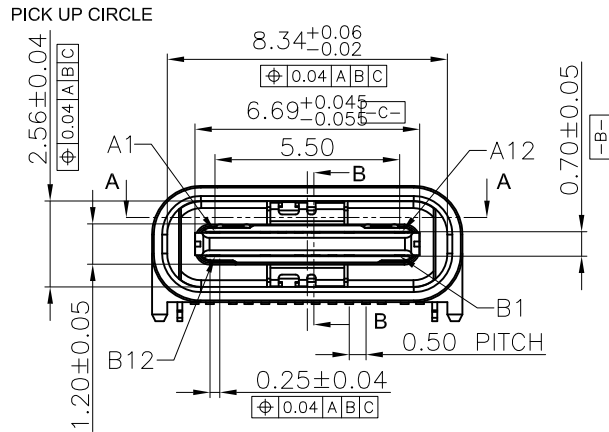
REV.	ECN NO OR DESCRIPTION	REVISED	DATE
A	PROPOSE ONLY	ERIC	2016.09.21



SECTION A-A

SPECIFICATION:

- ELECTRICAL CHARACTERISTICS:
  - CURRENT RATING: VBUS AND GND CONTACTS RATED AT 2.0A, PARALLELED FOR A TOTAL OF 8A.
  - TEMPERATURE RANGE: -40 °C ~ 85 °C
  - CONTACT RESISTANCE: 30 MILLIONHM MAX.
  - DIELECTRIC WITHSTANDING VOLTAGE: 100 VAC r.m.s
  - INSULATION RESISTNACE: 100 MEGOHMS MIN.
- MECHANICAL CHARACTERISTICS
  - INSERTION FORCE: 5~20N
  - EXTRACTION FORCE: Initial:8~20N;Durability:8~20N(1000cycles); 6~20N(10000cycles);
  - DURABILITY:10,000CYCLES
- COMPLIANCE WITH Q/KRCONN 005-2012 HAZARDOUS SUBSTANCE MANAGEMENT REQUIREMENTS IN EVERWIN.
- THE SHELL LENTH IS LESS THAN THE MINIMUM SPECIFIED BY THE USB TYPE C STANDARD.AS SUCH IS CANNOT INDENOENDENTLY BE GUARANTEED TO MEET ALL TYPE C MECHANICAL REQUIREMENTS.



6	MID PLATE	1 PCS	STAINLESS STEEL	NICKEL PLATING
5	CONTACT B	1 SET	COPPER ALLOY	30U"MIN. GOLD PLATING OVER NICKEL ON CONTACT AREA
4	CONTACT A	1 SET	COPPER ALLOY	1U"MIN. GOLD FLASH OVER NICKEL ON SOLDER TAILS
3	HOUSING	1 PCS	PA46	COLOR: BLACK
2	GND PLATE	1 PCS	STAINLESS STEEL	NICKEL PLATING
1	SHELL	1 PCS	ALLOY	NICKEL PLATINGCOVERALL.



UNLESS OTHERWISE SPECIFIED TOLERANCES

深圳市顺宏康科技有限公司

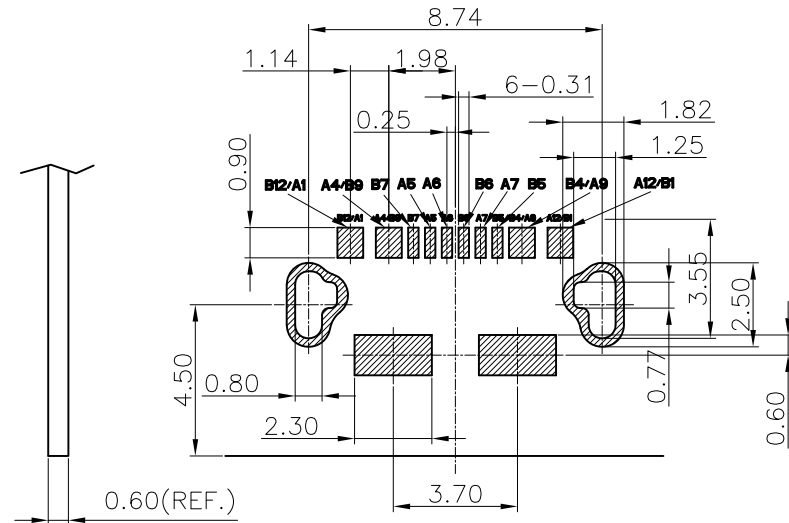
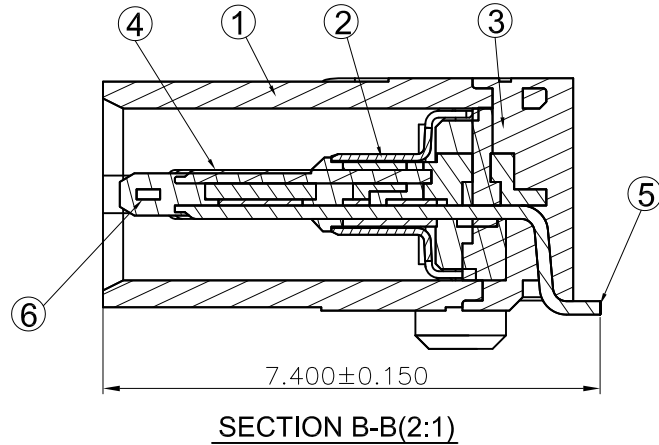
DECIMALS:	ANGLES:
X :±0.5	X :±2°
X.X :±0.20	X.X :±1°
X.XX :±0.10	

TITLE	Type.C 14PIN RECPTACLE Conn Asm. Waterproof level:IPX7			
DWN	Johnie	PART NO.	SHK-31388	
CHKD	Kevin.d	SCALE:1:1	UNIT: mm	
APVD	Simon.Mo	SIZE: A4	SHEET:10F1	REV: A

CUSTOMER COPY



REV.	ECN NO OR DESCRIPTION	REVISED	DATE
A	PROPOSE ONLY	ERIC	2016.09.21



**RECOMMENDED P.C.B LAYOUT (COMPONENT SIDE)**

PCB THICKNESS: 0.80±0.05mm  
 DEFAULT TOLERANCE: ±0.05mm

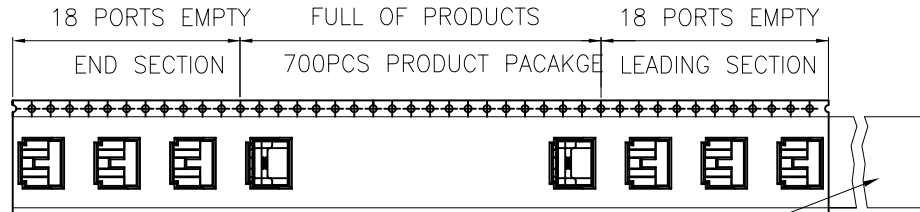
**PIN ASSIGNMENTS**

No.	NAME	DESCRIPTION	No.	NAME	DESCRIPTION
A1	GND	GROUND RETURN	B12	GND	GROUND RETURN
A4	VBUS	BUS POWER	B9	VBUS	BUS POWER
A5	CC1	CONFIGURATION CHANNEL	B7	DN2	NEGATIVE HALF OF USB2.0 DIFFERENTIAL PAIR-POSITION2
A6	DP1	POSITIVE HALF OF USB2.0 DIFFERENTIAL PAIR-POSITION1	B6	DP2	POSITIVE HALF OF USB2.0 DIFFERENTIAL PAIR-POSITION2
A7	DN1	NEGATIVE HALF OF USB2.0 DIFFERENTIAL PAIR-POSITION1	B5	CC2	CONFIGURATION CHANNEL
A9	VBUS	BUS POWER	B4	VBUS	BUS POWER
A12	GND	GROUND RETURN	B1	GND	GROUND RETURN

UNLESS OTHERWISE SPECIFIED TOLERANCES		<b>深圳市顺宏康科技有限公司</b>			
DECIMALS:	ANGLES:				
X :±0.5	X :±2°	TITLE	Type.C 14PIN RECPTACLE Conn Asm. Waterproof level:IPX7		
X.X :±0.20	X.X :±1°	DWN	Johnie	PART NO.	SHK-31388
X.XX :±0.10		CHKD	Kevin.d	SCALE:1:1	UNIT: mm
		APVD	Simon.Mo	SIZE: A4	SHEET:1OF1
					REV: A
		CUSTOMER COPY			

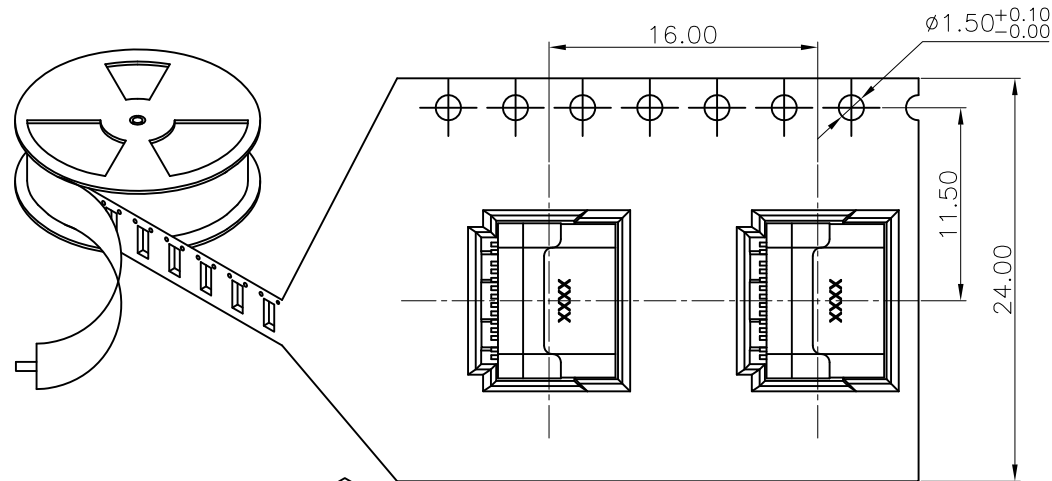


REV.	ECN NO OR DESCRIPTION	REVISED	DATE
A	PROPOSE ONLY	ERIC	2016.09.21

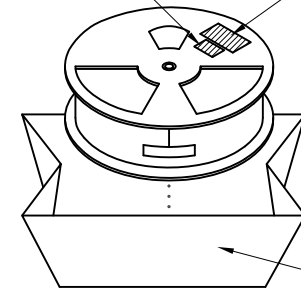


PULL OUT DIRECTION

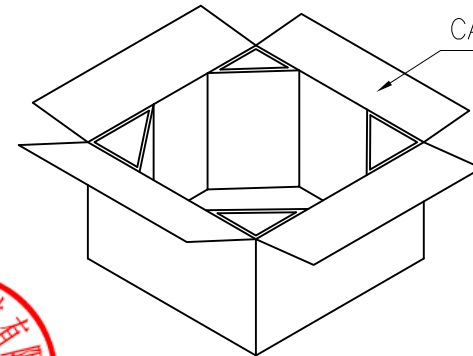
TOP COVER TAPE  
100mm Min.



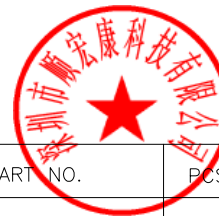
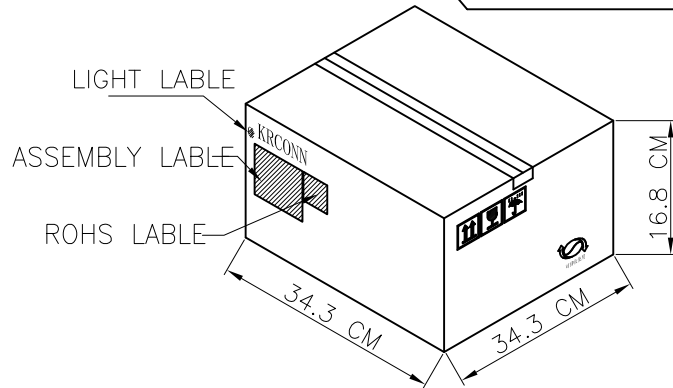
RoHS LABEL ASSEMBLY LABEL



PE BAG



CARTON



PART NO.	PCS/REEL	REEL/CARTON	TOTAL (PCS)	CTN SIZE (CM)
FTCOR-340114-04G	700	5	3500	34.3X34.3X16.8

UNLESS OTHERWISE SPECIFIED TOLERANCES

DECIMALS:	ANGLES:
X :±0.5	X :±2°
X.X :±0.20	X.X :±1°
X.XX :±0.10	

**深圳市顺宏康科技有限公司**

TITLE	Type.C 14PIN RECPTACLE Conn Asm. Waterproof level:IPX7			
DWN	Johnie	PART NO.	SHK-31388	
CHKD	Kevin.d	SCALE:1:1	UNIT: mm	
APVD	Simon.Mo	SIZE: A4	SHEET:1OF1	REV: A

CUSTOMER COPY