

规格说明: Specifications:

电气特性: Electrical:

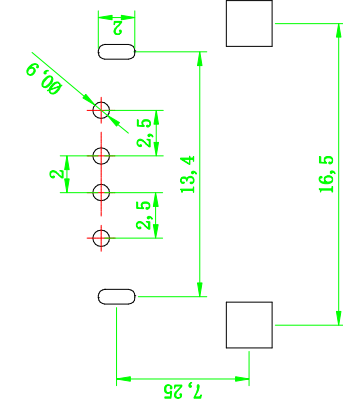
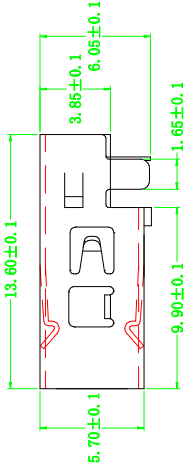
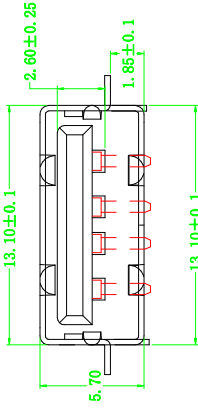
- 1. 额定电流: Current Rating  
1.5A/contact terminal
- 2. 额定电压: Voltage Rating  
30V DC
- 3. 接触阻抗: Contact Resistance  
30 milliohms MAX
- 4. 耐压: Dielectric Withstanding Voltage:  
500 V AC AT Sea Level
- 5. 绝缘阻抗: Insulation Resistance:  
1000MEGA ohms MIN

物理性能: Mechanical:

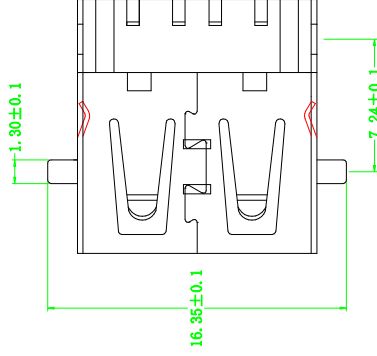
- 1. 插拔力: Connector Mate and Unmate Force  
Mate force: 3.57kgf (MAX)  
Unmate force: 1.02kgf (MIN)
- 2. 端子保持力: Terminal Retention  
1.2kgf (MIN)

原材料: Material:

- 1. 塑胶: Housing:  
Hing Temperature Thermoplastics,  
UL 94V-0 PBT White/Black
  - 2. 端子: Contact: Copper Alloy C2680
  - 3. 外壳: Shell: Copper Alloy C2680/SPCC
- 电镀: Finish:
- 1. 端子: Contact: Plated Gold in Mating Area;  
Tin On Solder Tails
  - 2. 外壳: Shell:  
Nickel Plating



P.C.B LAYOUT



# 深圳市顺宏康科技有限公司

品名 (ITEM NO)

料号 (PART NO)

模号 (MODEL NO)

SHK-20403

A008-IN-6

图号 (DWG NO)	单位 (UNIT): MM
版本 (REV)	比例 (SCALE) 1:1
日期 (DATE)	设计 (DESIGN)
审核 (CHECKED)	核准 (APPROVED)
核准 (APPROVED)	未注公差 TOLERANCE UNSPECIFIED
	X.X ±0.30
	X.XX ±0.20
	X.XXX ±0.10
	X.X° ±5°
	X.X° ±2°