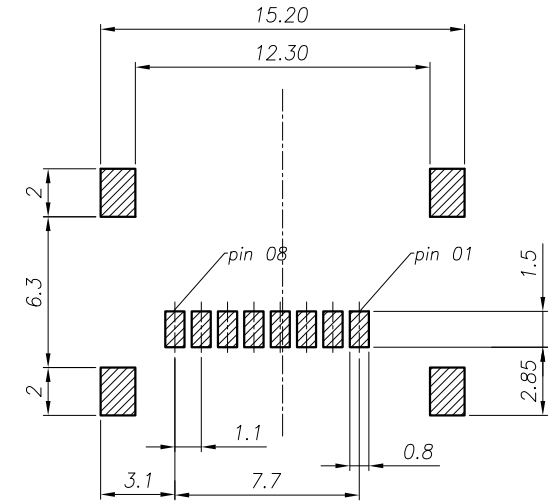
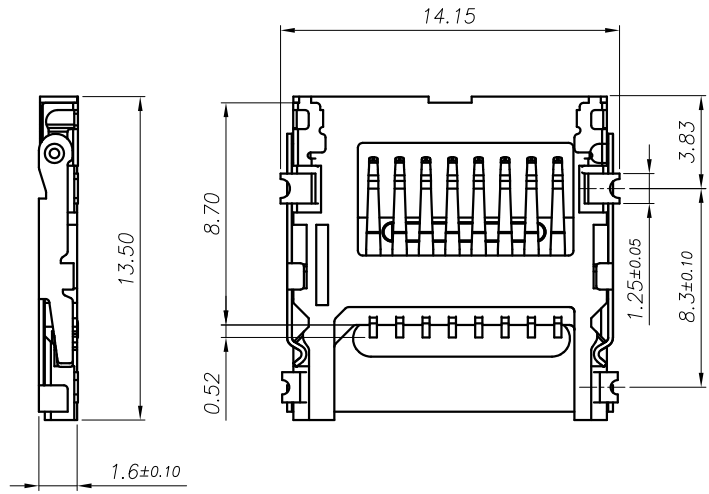
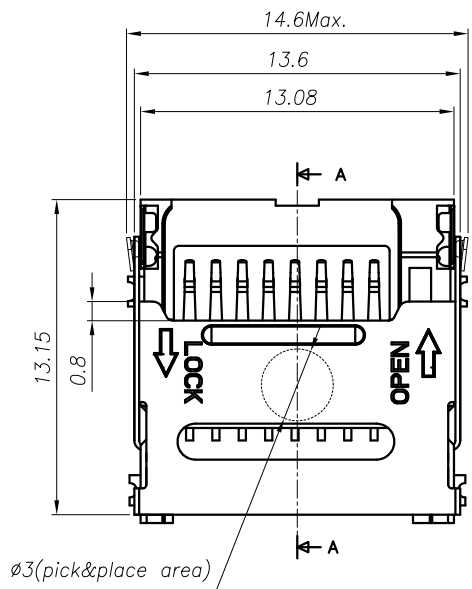
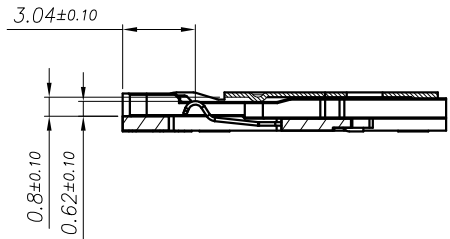
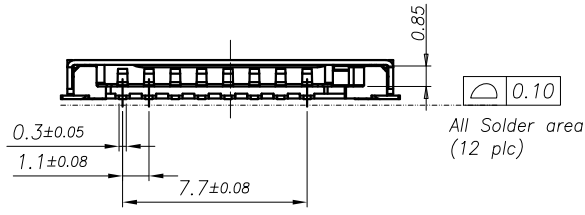


REV.	ECN NO OR DESCRIPTION	REVISED	DATE
1	PROPOSE ONLY	ALLEN	2013.03.04

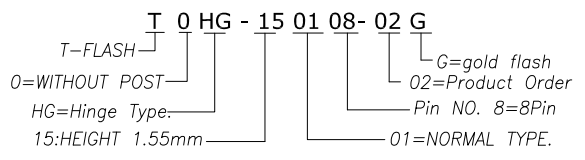


RECOMMENDED PCB LAYOUT TOP VIEW (TOLERANCE:±0.05)  
RECOMMENDED MATAL MASK T=0.12MM



-NOTES-

- VOLTAGE RATING :100V AC/DC
- CURRENT RATING:0.5A MAX
- CONTACT RESISTANCE:100 mohm MAX/1001mA
- INSULATION RESISTANCE:1000M ohms MIN/500VDC
- DIELECTRIC WITHSTANDING VOLTAGE:500VAC/MINUTE
- OPERATING TEMPERATURE:-30°C TO +80°C
- STORAGE TEMPERATURE:-40°C TO +70°C
- RETENTION FORCE:MIN.100gf/PIN
- DURABILITY:1,000 CYCLES
- 1000pcs/reel
- PART No.:



MICRO SD CARD

PIN NO.	NAME	TYPE	DESCRIPTION
P1	DAT 2	I/O/PP	DATE LINE(BIT 2)
P2	CD/DAT 3	I/O/PP	CARD DETECT DATE LINE(BIT3)
P3	CMD	PP	COMMAND TESPONSE
P4	VDD	S	SUPPLY VOLTAGE
P5	CLK	I	CLOCK
P6	VSS	S	
P7	DAT 0	I/O/PP	DATE LINE(BIT 0)
P8	DAT 1	I/O/PP	DATE LINE(BIT 1)

③	TERMINAL	8	Copper alloy	Au 1u" PLATING
②	BASE INSULATOR	1	LCP+GF30%	BLACK
①	SHELL	1	SUS304-HIT=0.15	AU/Ni PLATING
NO.	PART NAME	Q'TY	DESCRIPTION	NOTE

UNLESS OTHERWISE SPECIFED TOLERANCES		<p style="text-align: center; font-weight: bold; font-size: 1.2em;">深圳市顺宏康科技有限公司</p>				
DECIMALS:	ANGLES:					TITLE
X	:±0.5	X	:±2°	DWN	ALLEN	PART NO. TOHG-150108-02G
X.X	:±0.20	X.X	:±1°	CHKD	KEVIN	SCALE:1:1 UNIT: mm
X.XX	:±0.10			APVD	ERIC.W	SIZE: A3 SHEET:10F 1 REV: A1
CUSTOMER COPY						