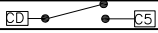

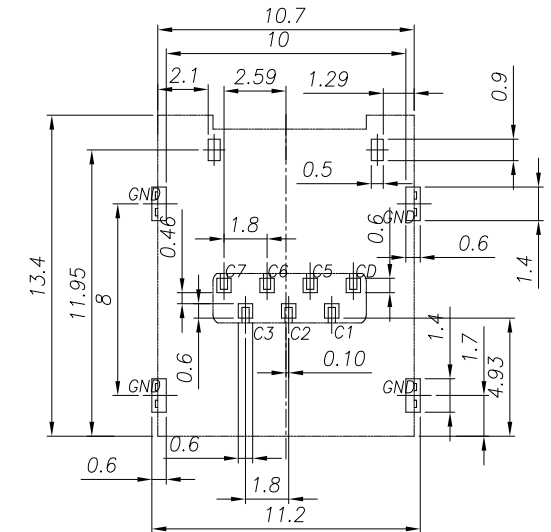
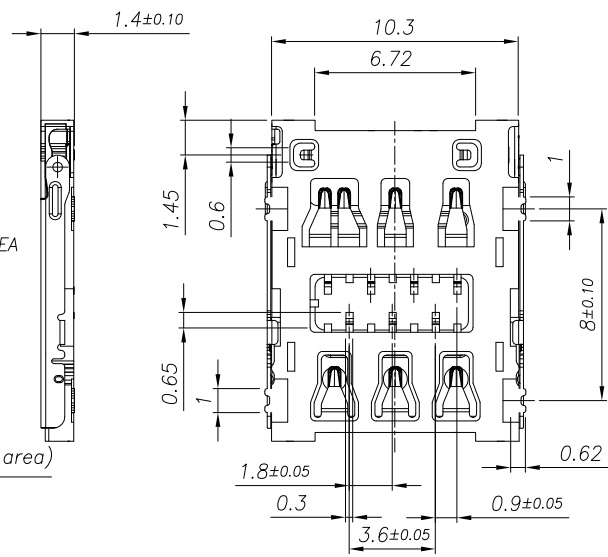
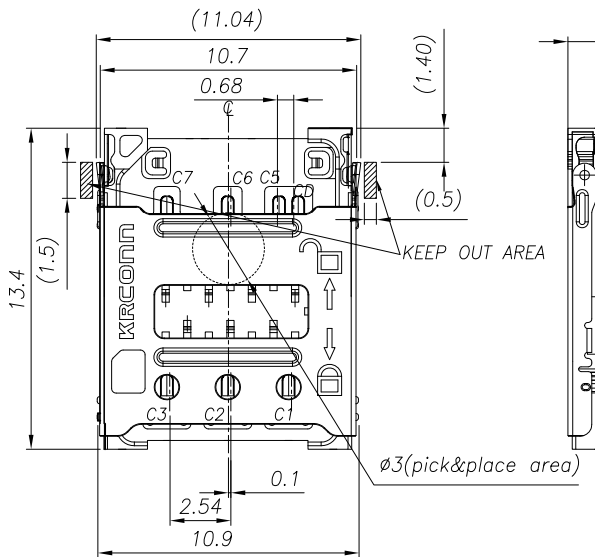


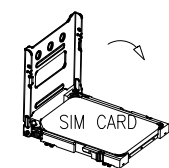
REV.	ECN NO OR DESCRIPTION	REVISED	DATE
1	PROPOSE ONLY	ALLEN	2015.03.04
2	MODIFY THE SHELL LOGO	ALLEN	2016.12.02

SW Circuit Description for Connector:

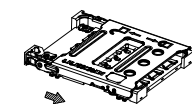
CARD INSERTION STATE	DETECT SWITCH CIRCUIT STATE	SCHEMATIC
UNMATED	OPENED	DETECT PIN  C5
MATED	CLOSED	DETECT PIN  C5



RECOMMENDED PCB LAYOUT TOP VIEW (TOLERANCE:±0.05)
RECOMMENDED METAL MASK T=0.12MM



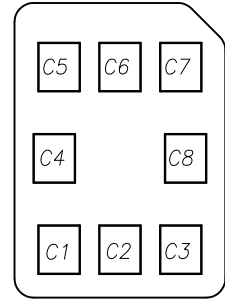
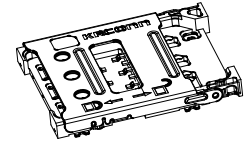
1. PLACE SIM CARD, THEN HINGE THE SHELL



2. SLIDE THE SHELL, CARD LOCKED

【 SIM Card Pin Assignments 】

PIN	Name
C1	Vcc
C2	RST
C3	CLK
C4	Reserved
C5	GND
C6	Vpp
C7	I/O
C8	Reserved

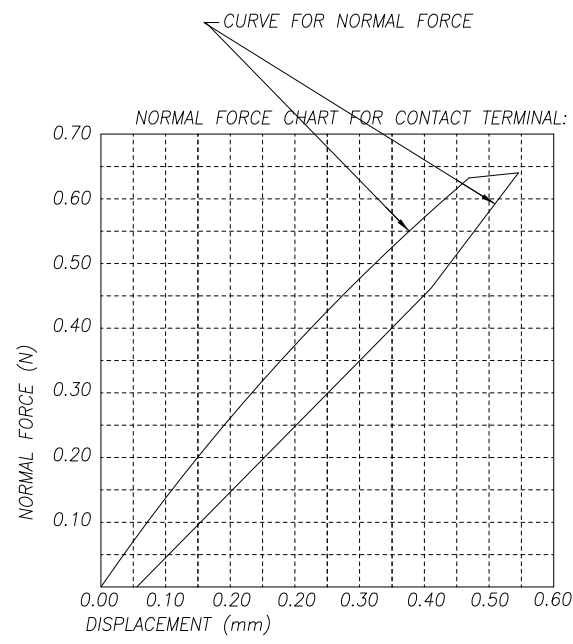


NOTES:

- MATERIAL:SEE TABLE
- SPECIALITY:
 - Rated current: 0.5A Max
 - Rated voltage: 30V AC
 - Contact Resistance:100mohm MAX
 - Insulation Resistance:1000Mohm MIN 500V DC
 - Dielectric withstanding voltage: 500V AC/minute.
 - Solder ability:250±5 10±0.5s.
 - Durability:5000 Cycles
 - Mating and Unmating force
Insertion Force 10N Max
Withdrawal Fore 0.5N Min

3. PART No.:

NS 0 HG - 14 00 06- 09 G
 Nano SIM CON. 0=WITHOUT POST G=gold flash
 HG=HINGE TYPE 09=Product Order Pin NO. 6=6Pin
 14:HEIGHT 1.4mm 00=NORMAL TYPE.(ON PCB)



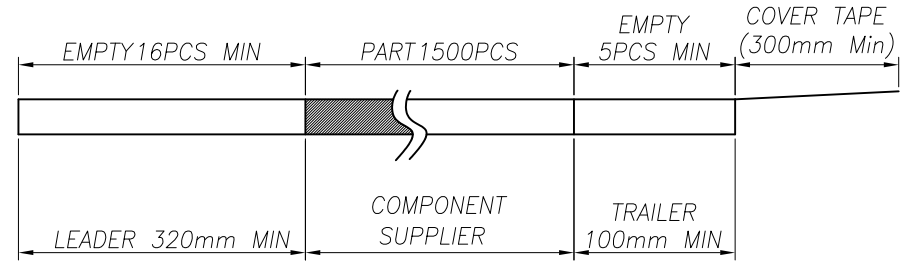
③	TERMINAL	6	C5210-EH,T=0.12	Au 3u" PLATING
②	BASE INSULATOR	1	LCP+GF30%	BLACK
①	SHELL	1	SUS304-H T=0.15	AU/Ni PLATING
NO.	PART NAME	Q'TY	DESCRIPTION	NOTE

UNLESS OTHERWISE SPECIFIED TOLERANCES		深圳市顺宏康科技有限公司			
DECIMALS:	ANGLES:	TITLE	6Pin 1.4H Hinge Nano SIM CARD CONN.		
X :±0.5	X :±2°	DWN	ALLEN	PART NO. NS0HG-140006-09G	
X.X :±0.20	X.X :±1°	CHKD	KEVIN	SCALE:1:1	UNIT: mm
X.XX :±0.10		APVD	ERIC.W	SIZE: A3	SHEET:10F 1
CUSTOMER COPY					

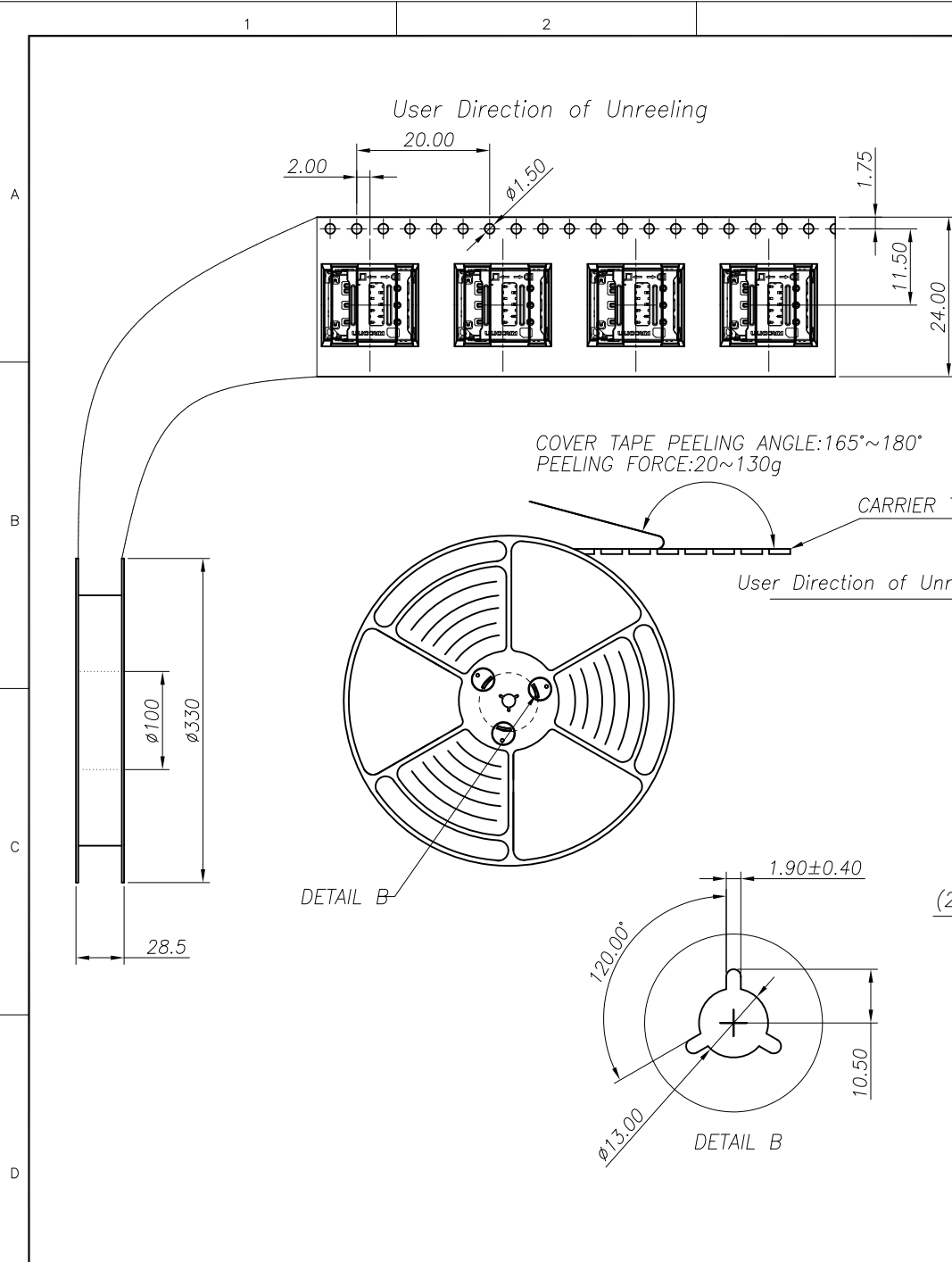
REV.	ECN NO OR DESCRIPTION	REVISED	DATE
▽	PROPOSE ONLY	ALLEN	2015.03.04

NOTES

1. NUMBER OF CONNECTORS: 1500PCS/REEL
2. LEAD TAPE LENGTH



3. QUANTITY: 10,000PCS/CARTON
4. WEIGHT :
 - 3.1 NET WEIGHT : 2.4Kg
 - 3.2 GROSS WEIGHT : 6.5Kg



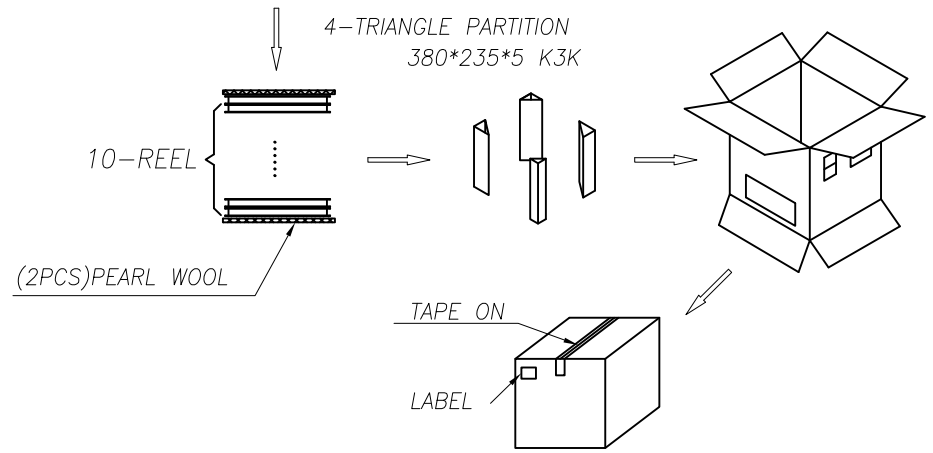
COVER TAPE PEELING ANGLE: 165°~180°
PEELING FORCE: 20~130g

CARRIER TAPE

User Direction of Unreeling

DETAIL B

DETAIL B



1	NS0HG-140006-09G	1500	10	15000
ITEM	PRODUCT NO.	PCS/REEL	REEL/CARTON	PCS/CARTON

UNLESS OTHERWISE SPECIFIED TOLERANCES		深圳市顺宏康科技有限公司			
DECIMALS:	ANGLES:	TITLE	6Pin 1.4mm Hinge Nano SIM CARD CONN. 包装规范		
X : ±0.5	X : ±2°	DWN	ALLEN	PART NO. PK-NS0HG-140006-09G	
X.X : ±0.20	X.X : ±1°	CHKD	KEVIN	SCALE: 1:1	UNIT: mm
X.XX : ±0.10		APVD	ERIC.W	SIZE: A3	SHEET: 10F 1
		REV: A2			
CUSTOMER COPY					