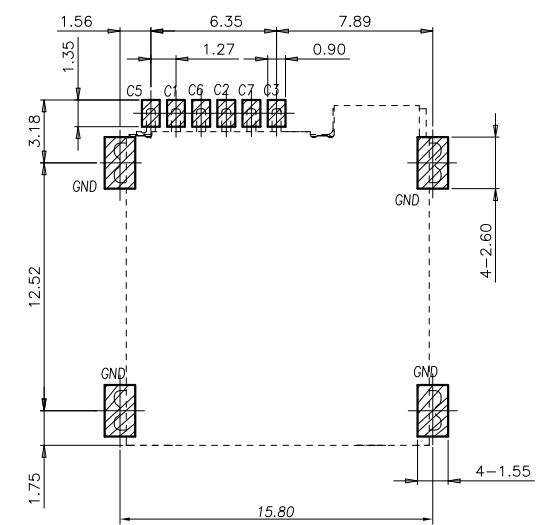
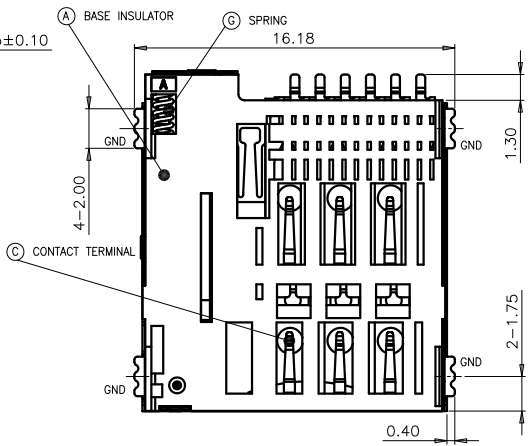
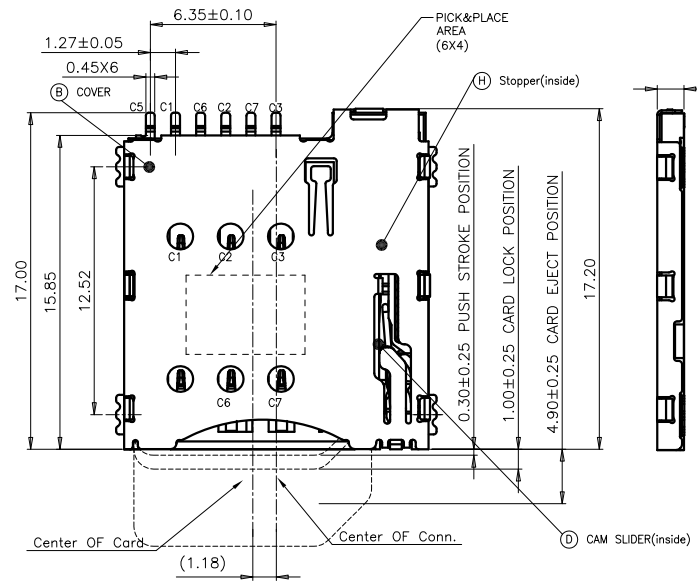
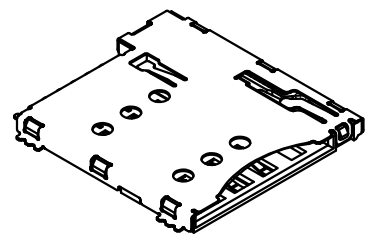


REV.	ECN NO OR DESCRIPTION	REVISED	DATE
	PROPOSE ONLY	ALLEN	2018.10.18



RECOMMENDED PCB LAYOUT TOP VIEW (TOLERANCE:±0.05)
 RECOMMENDED METAL MASK T=0.12MM
 NO PATTERN AREA (TOLERANCE: ±0.05)



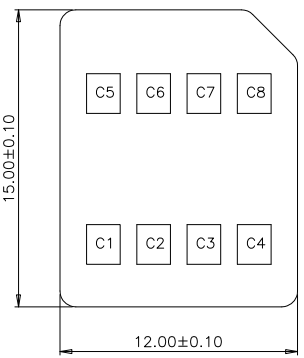
(NOTE)
 MATERIAL:
 Insulator: High Temperature Thermoplastic
 Contact: Copper Alloy
 Shell: STAINLESS

PLATING:
 Contact: Plated 30u" Ni Overall Contact G/F
 Shell: Plated 30u" Ni Overall
 Plated G/F Selective Contact Area

Electrical:
 Current Rating :0.5mA max.
 Voltage Rating :50V DC MAX
 Ambient Temperature Range :-20°C~+85°C
 Storage Temperature Range :-40°C~+70°C
 Ambient Humidity Range :95% R.H. Max.
 Contact Resistance:100m max.
 Insulation Resistance:1000M min./250V DC
 Dielectric Withstanding Voltage:500V AC
 Mating Cycles:5,000 Insertions
 Temperature: 260°C ±5°

6. PART No.:
 MS 0 PP - 13 00 06- 13 G

MicroSIM CON-
 0=WITHOUT POST
 PP=PUSH Type.
 13:HEIGHT 1.35mm
 C=gold plating on contact
 13=Product Order
 Pin NO. 6=6Pin
 00=NORMAL TYPE.(ON PCB)



MicroSIM CARD LAYOUT
 Connector Pin Assignment

MicroSIM CARD	
Pin No.	NAME
C1	VCC
C2	RST
C3	CLK
C4	Reserved
C5	GND
C6	VPP
C7	I/O
C8	Reserved

ITEM	PART NAME	Q'TY	MATERIAL	FINISH
1	HOUSING	1	Hi-temp Thermoplastic	Black UL94V-0
2	DATA CONTACT	6	Copper Alloy	Contact area:Gold plated
3	SHELL	1	Stainless Steel	SMT area:Gold plated
4	COIL SPRING	1	SWP	
5	HEART CAM	1	Hi-temp Thermoplastic	Black UL94V-0
6	CAM PIN	1	Stainless Steel	

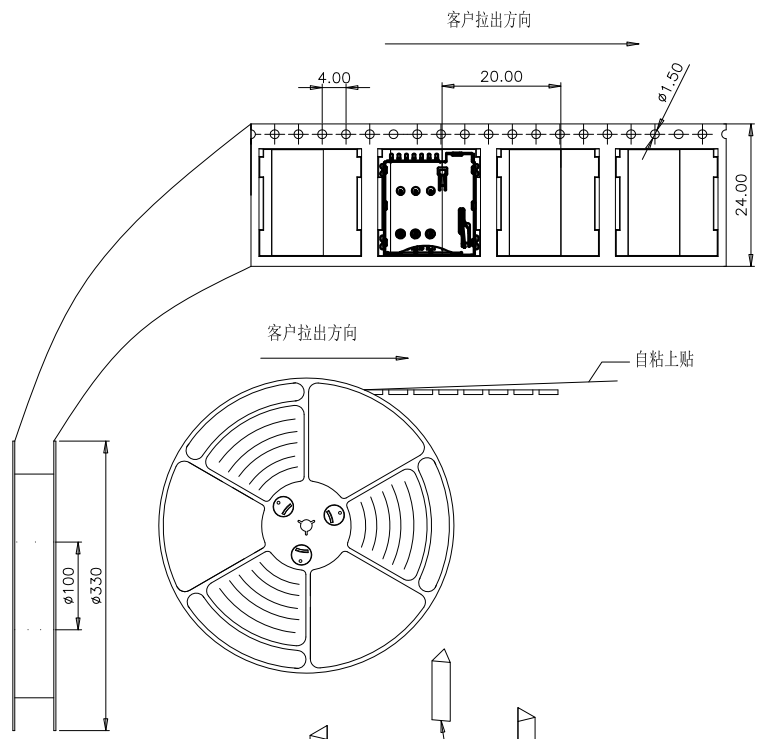
UNLESS OTHERWISE SPECIFIED TOLERANCES

深圳市顺宏康科技有限公司

DECIMALS:	ANGLES:	TITLE	1.35mm (Detected) Push Micro SD CARD CONN.	
X :±0.5	X :±2°	DWN	ALLEN	PART NO. MSOPP-130006-13G
X.X :±0.20	X.X :±1°	CHKD	KEVIN	SCALE:1:1 UNIT: mm
X.XX :±0.10		APVD	ERIC.W	SIZE: A3 SHEET:10F 1 REV: B

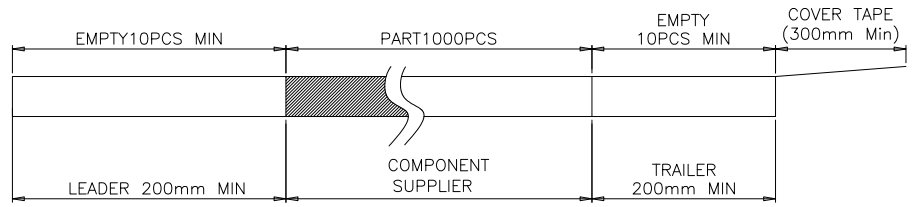
CUSTOMER COPY

REV.	ECN NO OR DESCRIPTION	REVISED	DATE
▽	PROPOSE ONLY	ALLEN	2018.10.18

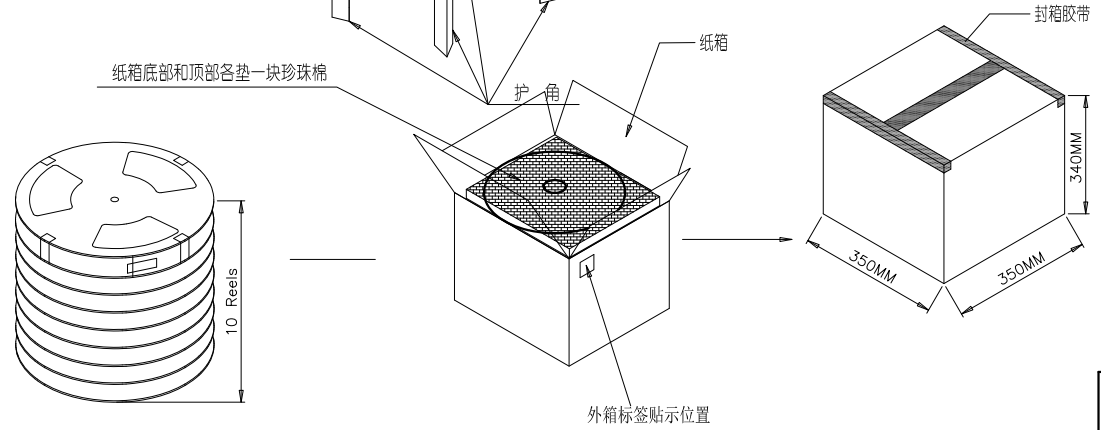


NOTES

1. NUMBER OF CONNECTORS:1000PCS/REEL
2. LEAD TAPE LENGTH



3. QUANTITY:10000PCS/CARTON



将10卷产品放入箱内

UNLESS OTHERWISE SPECIFIED TOLERANCES		深圳市顺宏康科技有限公司			
DECIMALS:	ANGLES:	TITLE	1.35mm (Detect) Push Micro SD CARD CONN.		
X :±0.5	X :±2°	DWN	ALLEN	PART NO. MSOPP-130006-13G	
X.X :±0.20	X.X :±1°	CHKD	KEVIN	SCALE:1:1	UNIT: mm
X.XX :±0.10		APVD	ERIC.W	SIZE: A3	SHEET:10F 1
		REV: B			
CUSTOMER COPY					