

REV.	ECN NO OR DESCRIPTION	REVISED	DATE
▽	PROPOSE ONLY	ALLEN	2013.05.04

Specification

*Electrical Characteristics:

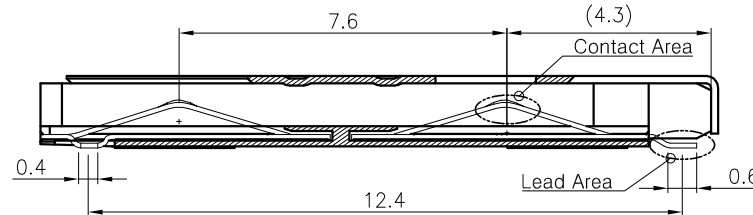
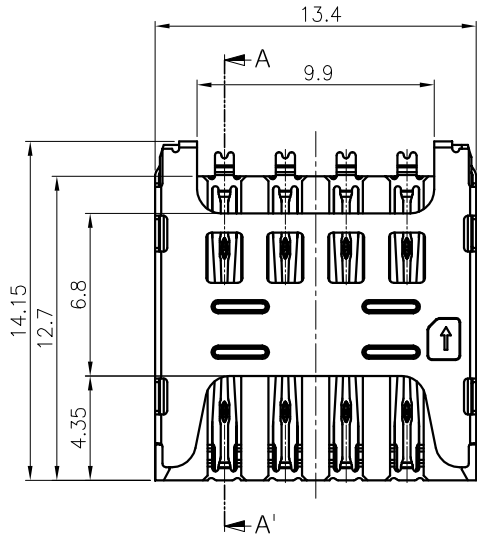
Contact Current Rating:0.5 Amperes.
 Dielectric Withstanding Voltage:AC500V r.m.s.
 Insulation Resistance:500 MΩ Minimum.
 Contact Resistance: 30 mΩ Maximum.

*Environmental:

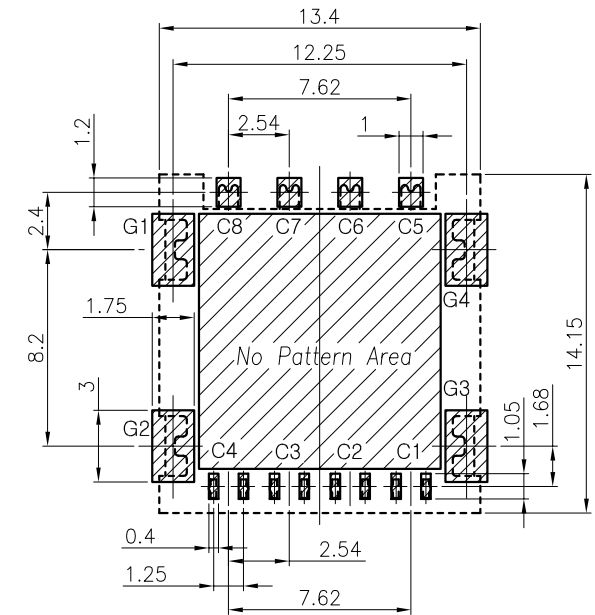
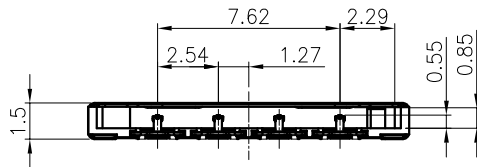
Operating Temperature:-30 °C~+ 85 °C.

PART No.:

S 0 DD - 15 00 08- 03 T
 SIM CON. T=Prevention Burst Pin
 0=WITHOUT POST 03=Product Order
 DD=WITH UPLOCK Pin NO. 8=8Pin
 15:HEIGHT 1.5mm 00=NORMAL TYPE.(ON PCB)

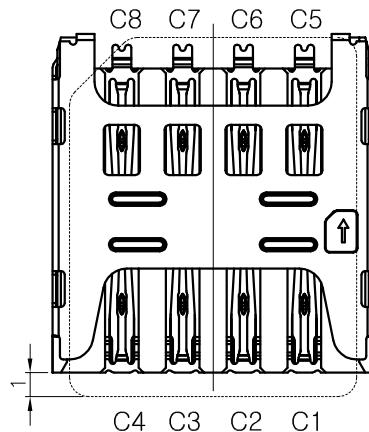
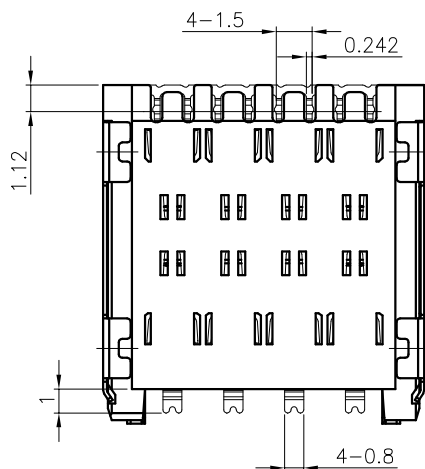


SECTION A-A' (ZOOM VIEW)



RECOMMENDED PCB LAYOUT(TOLERANCE ±0.05)

RECOMMENDED MATAL MASK T=0.12MM



Insert Micro USIM CARD

PIN No.	Description
C1	VCC
C2	RST
C3	CLK
C4	Reserved
C5	GND
C6	VPP
C7	I/O
C8	Reserved

NO.	PART NAME	Q'TY	DESCRIPTION	NOTE
③	TERMINAL	8	C5210-EH,T=0.12	Au 5u" PLATING
②	BASE INSULATOR	1	LCP+GF30%	BLACK
①	SHELL	1	SUS304-H.T=0.12	AU/Ni PLATING

UNLESS OTHERWISE SPECIFIED TOLERANCES

DECIMALS:	ANGLES:
X :±0.5	X :±2°
X.X :±0.20	X.X :±1°
X.XX :±0.10	

UNLESS OTHERWISE SPECIFIED TOLERANCES

TITLE	8Pin 1.5H PUSH PULL Micro SIM CARD CONN.		
DWN	ALLEN	PART NO.	S0DD-150008-03T
CHKD	KEVIN	SCALE:1:1	UNIT: mm
APVD	ERIC.W	SIZE: A3	SHEET:10F 1
			REV: A1

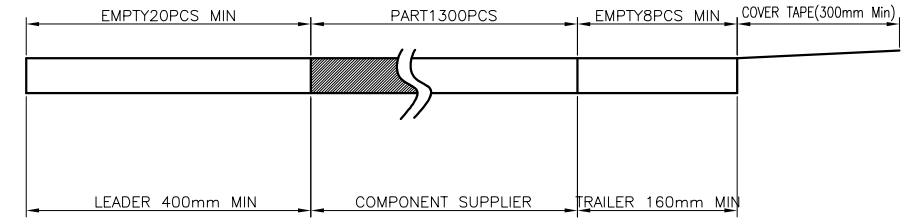
CUSTOMER COPY



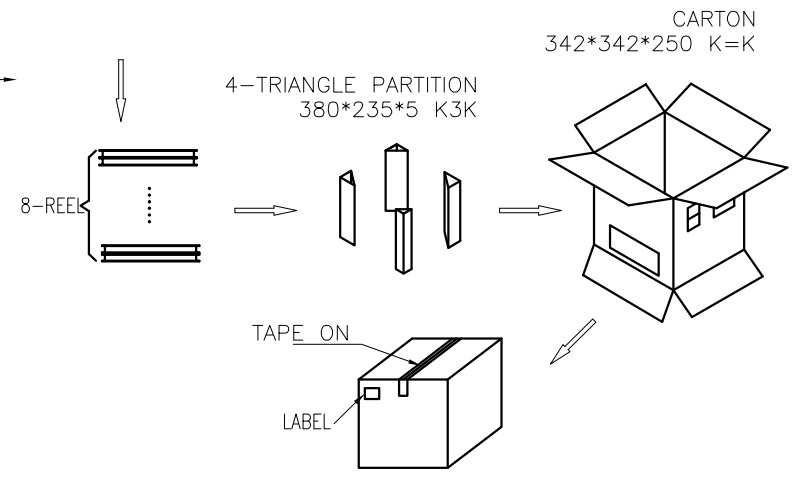
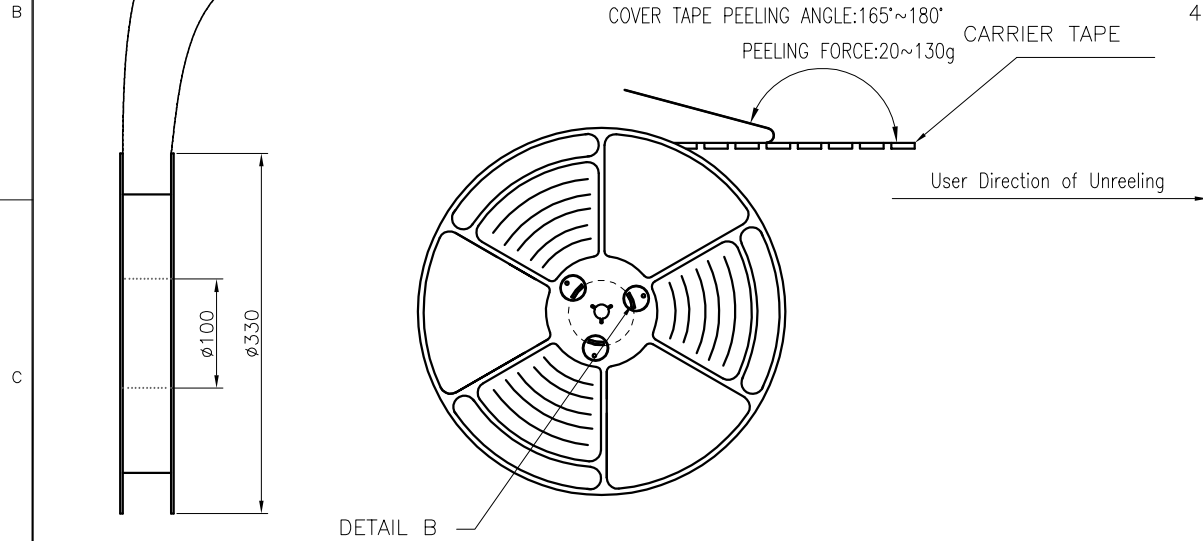
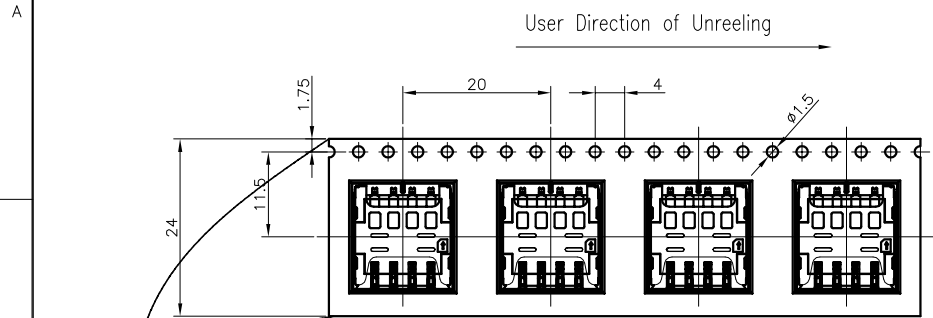
REV.	ECN NO OR DESCRIPTION	REVISED	DATE
▽	PROPOSE ONLY	ALLEN	2013.05.04

NOTES

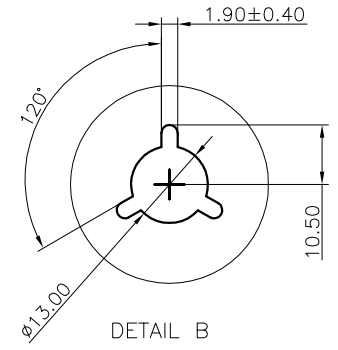
- NUMBER OF CONNECTORS: 1300PCS/REEL
- LEAD TAPE LENGTH



- QUANTITY: 10400PCS/CARTON
- WEIGHT :
 - NET WEIGHT : 3.33Kg
 - GROSS WEIGHT : 6.55Kg



DETAIL B



DETAIL B

UNLESS OTHERWISE SPECIFIED TOLERANCES		 深圳市顺宏康科技有限公司			
DECIMALS:	ANGLES:	TITLE	8Pin 1.5H PUSH PULL Micro SIM CARD CONN.		
X : ±0.5	X : ±2'	DWN	ALLEN	PART NO. S0DD-150008-03T	
X.X : ±0.20	X.X : ±1'	CHKD	KEVIN	SCALE: 1:1	UNIT: mm
X.XX : ±0.10		APVD	ERIC.W	SIZE: A3	SHEET: 1 OF 1
		REV: A1			
CUSTOMER COPY					