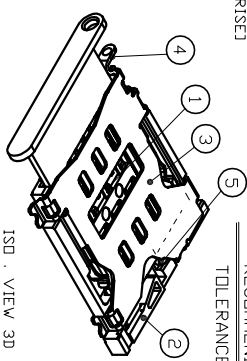
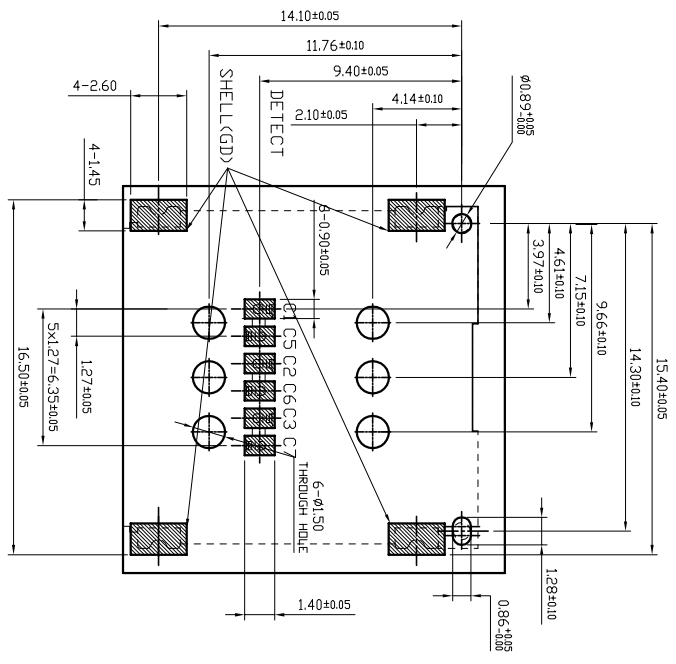


- NOTES:
- ELECTRICAL CHARACTERISTICS:
 - 1-1 CURRENT RATING: 1 Amp/PIN MAX.
 - 1-2 VOLTAGE: 30V DC MAX
 - 1-3 LEV LEVEL CONTACT RESISTANCE: 30 mOhms MAX. INITIALLY.
 - 1-4 DIELECTRIC WITHSTANDING VOLTAGE: 500V AC MIN FOR 1 MINUTE.
 - 1-5 INSULATION RESISTANCE: 100M Ohms MIN. (DC 500V FOR 1 MINUTE)
 - MECHANICAL CHARACTERISTICS:
 - 2-1 DURABILITY: 1500 CYCLES.
 - 2-2 OPERATING FORCE INSERTING & WITHDRAWAL: IN-10N.
 - ENVIRONMENTAL CHARACTERISTICS:
 - 3-1 OPERATING TEMP. RANGE: -25°C TO 85°C (INCLUDING TERMINAL TEMP. RISE)
 - 3-2 STORAGE TEMP.: -40°C TO 85°C.
 - QUANTITY OF PRODUCTS: 1000PCS/REEL MIN.
 - PLEASE CONTACT SALES REPRESENTATIVE TO VERIFY PRODUCT DETAILS.
 - PART No.:

RECOMMENDED PC BOARD LAYOUT
TOLERANCE: ±0.05(TOP VIEW)



5	HINGE	1	SUS. NO PLATING
4	LEVER	1	SUS. NO PLATING
3	SHELL	1	SUS. GOLD PLATING
2	HOUSING	1	LCP/BLACK
1	CONTACT	1	BRONZE ALLOY, GOLD PLATING
ITEM	PART NAME	QTY	DESCRIPTION
UNLESS OTHERWISE SPECIFIED TOLERANCES			
DECIMALS:		ANGLES:	
X	±0.5	X	±2°
X.X	±0.20	X.X	±1°
X.XX	±0.10		
深圳市顺宏康科技有限公司 NAND SIM Card 6Pin 5H CONN. WITH LEVER (NO DETECT) TITLE: JPHNLE PART NO. S1SP-150006-16G CHKD: KEVIN.D SCALE: 1:1 UNIT: mm APVD: SIMDNM SIZE: A4 SHEET: 1 OF 1 REV: B CUSTOMER COPY			

REV.	ECN NO OR PROPOSE ONLY	DR DESCRIPTION	REVISED	DATE
△A		取消外壳DIP脚, 提高组装效率	SIMDN	2013.01.23
△B			SIMDN	2013.10.13