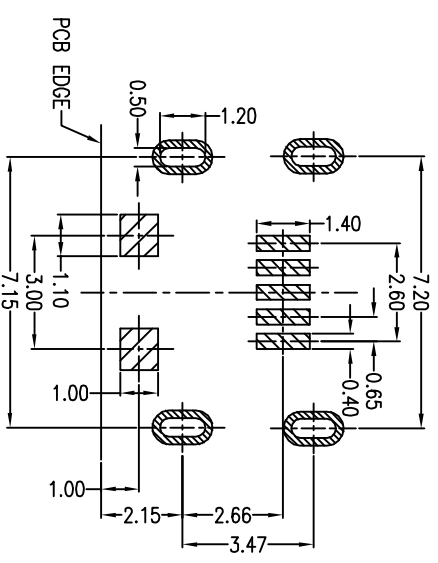
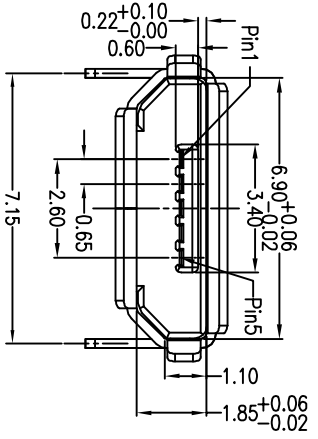
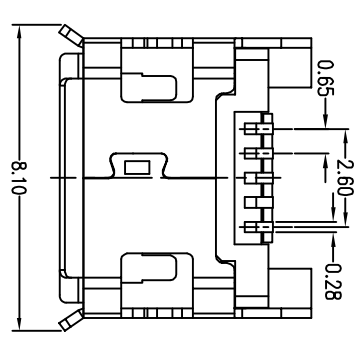
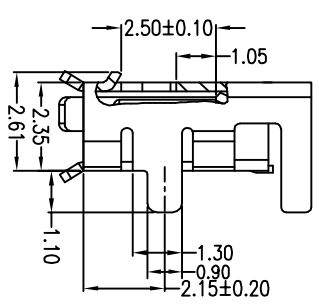
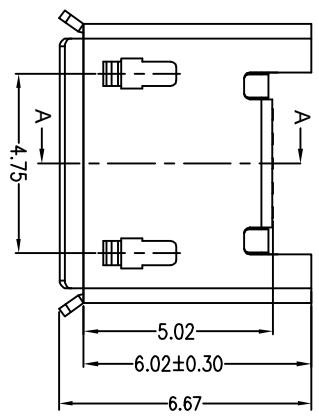
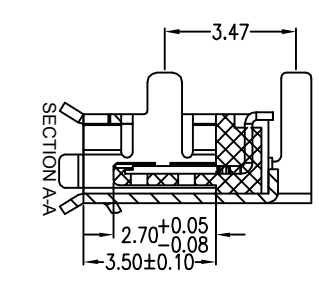
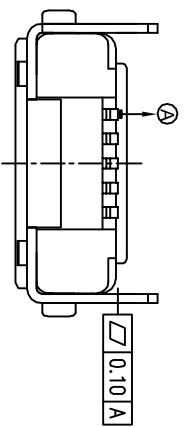


REV.	ECH NO	LOCATIONS	DESCRIPTION	DATE



PCB图仅供参考

- Note:
- Material:
    - Housing: High temperature thermoplastic with g.f, UL94V-0
    - Contact: copper alloy, t=0.20mm
    - Shell: copper alloy, t=0.25mm
  - Specification:
    - Current rating: 1.5PIN 1.8A Max/2.3, 4PIN 1A Max voltage: 100 V(ac) for 1 min.
    - Dielectric withstanding voltage: 100 V(ac) for 1 min.
    - Contact resistance: 30 mΩ Max.
    - Insulation resistance: 100 MΩ Min.
    - Total mating force: 3.57 Kgf Max.
    - Total unmating force: 1.0 Kgf Min.
    - Temperature range: -30°C~80°C

- A 01 S B X X X X X X XX-382**
- ① 外壳材质  
②  
③  
④  
⑤  
⑥  
⑦  
⑧  
⑨  
⑩  
⑪
- 外壳电镀  
1: COBROH-H
- 端子电镀  
01: AuNi<sup>2+</sup>; 02: AuI<sub>2</sub>Su<sup>+</sup>; 03: AuAu<sup>+</sup>; 05: AuAu<sup>+</sup>; 10: Au100<sup>+</sup>; 15: Au15u<sup>+</sup>; 30: Au300<sup>+</sup>
- 主体颜色  
B: 黑色
- 主体材质  
1: LCP
- 端子材质  
4: QS191R-EH

PART NO: A01SBXXXXXXX-382		MATERIAL: SEE NOTE	
MODEL NO: XX		FINISH: SEE NOTE	
UNIT: MM	SIZE: A4	COLOR: SEE NOTE	DR: xiyayulong
TOLERANCE UNSPECIFIED		CHK: SHK-20095	DWG NO: SHK-20095
.x	0.15	APP:	SCALE: 5:1
.xx	0.10	DATE: 2012.05.21	REV: A
.xxx	0.05		
Ang.	↑		

深圳市顺宏康科技有限公司

TITLE: Micro usb 5P B Type 插板 7.2 无引脚 (长 1.1 四脚全插)

REV: A

