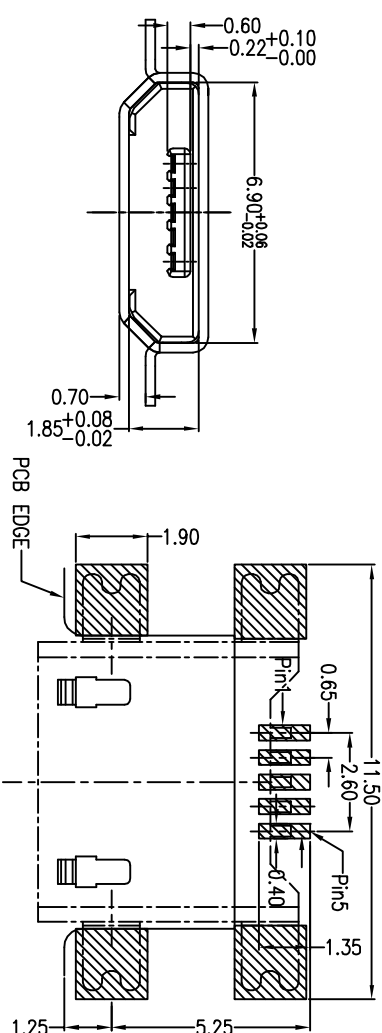
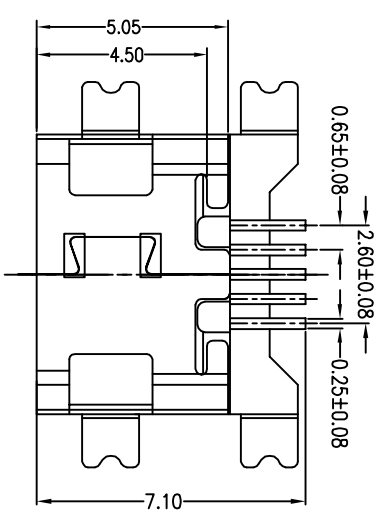
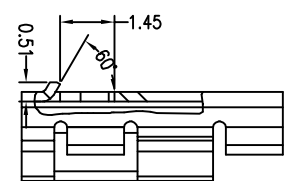
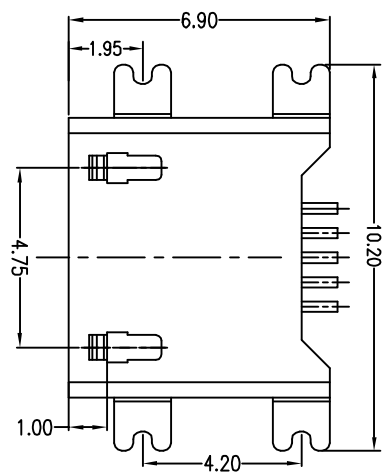
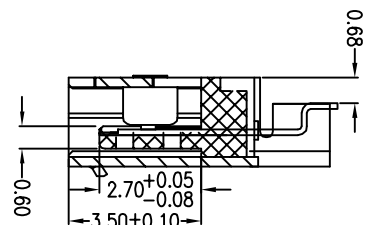
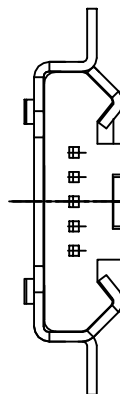


REV.	ECH NO	LOCATIONS	DESCRIPTION	DATE



RECOMMENDED PCB LAYOUT
PCB图仅供参考

- Note:
- Material:
 - Housing: High temperature thermoplastic with g.f. UL94V-0
 - Contact: copper alloy, t=0.15mm
 - Shell: copper alloy, t=0.25mm
 - Specification:
 - Current rating: 1 A Max.
 - Dielectric withstanding voltage: 100 V(ac) for 1 min.
 - Contact resistance: 30 MΩ Max.
 - Insulation resistance: 100 MΩ Min.
 - Total mating force: 3.57 Kgf Max.
 - Total unmating force: 1.0 Kgf Min.
 - Temperature range: -30°C~80°C

A 01 S B 1 4 1 B 4-242

- ① 产品代号 A: 规格
- ② 产品系列 01: micro usb spin
- ③ 产品类型 S: 母座
- ④ 产品材料 B: B TYPE
- ⑤ 外壳材质 1: 3030PP+1/2H 1: 3030PP+1/2H
- ⑥ 端子材质 4: 5S181R-El
- ⑦ 主体材质 1: LP
- ⑧ 主体颜色 B: 黑色
- ⑨ 下板类型 4: 波板式
- ⑩ 细节序号 2: 2: micro usb Ss B Type 插全插(微板, 无导线)

PART NO. A01SB141B4-242

MODEL NO. XX

UNIT: MM SIZE: A4

TOLERANCE UNSPECIFIED

.x	0.15
.xx	0.10
.xxx	0.05
Ang.	1°

DR: xiaoyuhong

CHK:

APP:

深圳市顺安康科技有限公司

TITLE: Micro usb Ss B Type 插全插(微板, 无导线)

DWG NO: SHK-20046

SCALE: 5:1

DATE: 2012.05.22

REV: A