

规格说明:Specifications:

电气特性:Electrical:

- 1. 额定电流: Current Rating 1.5A/contact terminal
- 2. 额定电压: Voltage Rating 30V DC

3. 接触阻抗: Contact Resistance 30 milliohms MAX

4. 耐压: Dielectric Withstanding Voltage: 500 V AC AT Sea Level

5. 绝缘阻抗: Insulation Resistance: 1000MEGA ohms MIN

物理性能: Mechanical:

1. 插拔力: Connector Mate and Unmate Force Mate force: 3.57kgf (MAX) Unmate force: 1.02kgf (MIN)

2. 端子保持力: Terminal Retention 1.2kgf (MIN)

原材料: Material:

1. 塑胶: Housing: High Temperature Thermoplastics, UI 94V-0 PBT White/Black

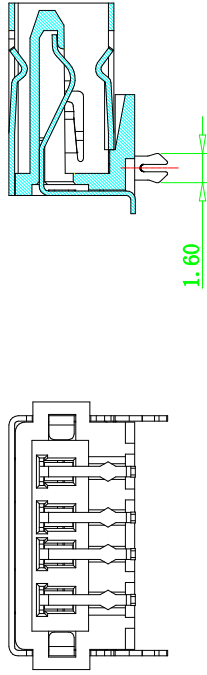
2. 端子: Contact: Copper Alloy C2680

3. 外壳: Shell: Copper Alloy C2680/SPCC

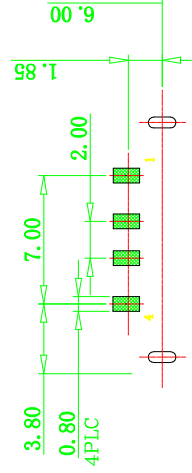
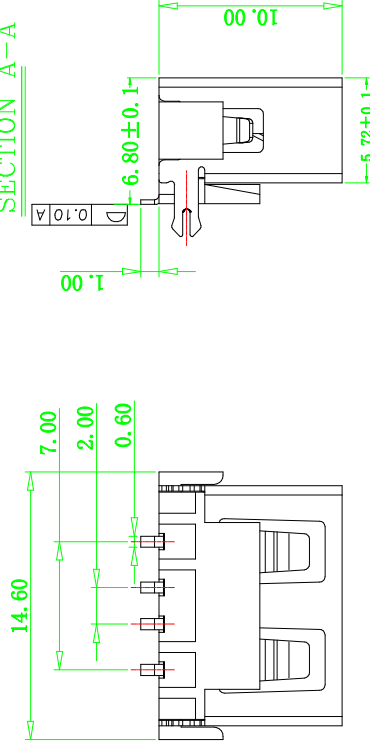
电镀: Finish:

1. 端子: Contact: Plated Gold in Mating Area; Tin On Solder Tails

2. 外壳: Shell: Nickel Plating



SECTION A-A



RECOMMENDED PCB LAYOUT
THICKNESS=1.0mm (TOLERANCES=±0.05)

深圳市顺宏康科技有限公司

品名 (ITEM NO) A/F 短体10.0 SMT铜壳 (后两脚无卷边H=6.8)

料号 (PART NO) SHK-20095

模号 (MODEL NO) A008-IN-3

图号 (DWG NO)		单位 (UNIT): MM
版本 (REV)	A/0	比例 (SCALE) 1:1
日期 (DATE)		公差 (TOLERANCE) UNspecified
设计 (DESIGN)		未注公差
审核 (CHECKED)		X.X ±0.30
核准 (APPROVED)		X.XY ±0.20
		X.XXX ±0.10
		X.X ±6
		X.X° ±2°