

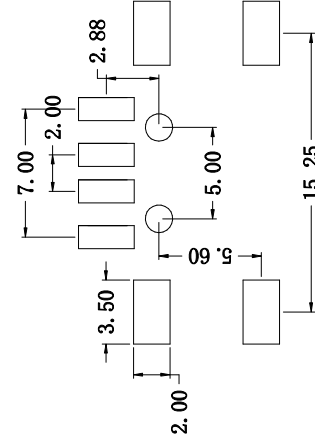
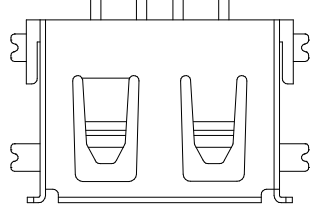
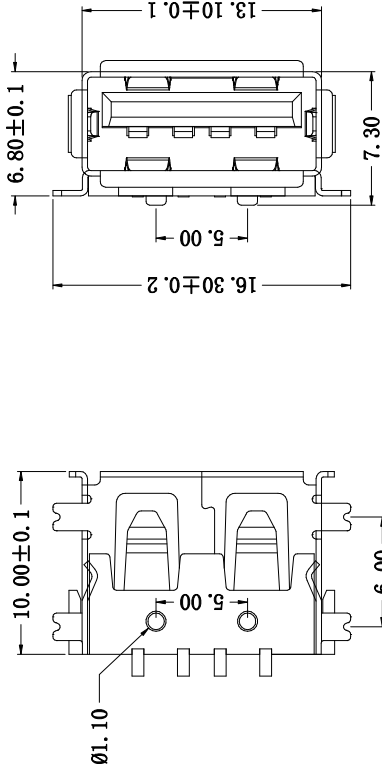
规格说明: Specifications:

电气特性: Electrical:

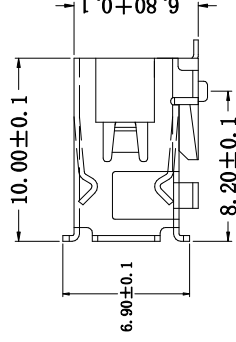
- 1. 额定电流: Current Rating  
1.5A/contact terminal
  - 2. 额定电压: Voltage Rating  
30V DC
  - 3. 接触阻抗: Contact Resistance  
30 milliohms MAX
  - 4. 耐压: Dielectric Withstanding Voltage:  
500 V AC AT Sea Level
  - 5. 绝缘阻抗: Insulation Resistance:  
1000MEGA ohms MIN
- 物理性能: Mechanical:
- 1. 插拔力: Connector Mate and Unmate Force  
Mate force: 3.57kgf (MAX)  
Unmate force: 1.02kgf (MIN)
  - 2. 端子保持力: Terminal Retention  
1.2kgf (MIN)

原材料: Material:

- 1. 塑胶: Housing:  
Hing Temperature Thermoplastics,  
UL 94V-0 PBT White/Black
  - 2. 端子: Contact: Copper Alloy C2680
  - 3. 外壳: Shell: Copper Alloy C2680/SPCC
- 电镀: Finish:
- 1. 端子: Contact: Plated Gold in Mating Area;  
Tin On Solder Talls
  - 2. 外壳: Shell:  
Nickel Plating



RECOMMENDED P.C.B LAYOUT



# 深圳市顺宏康科技有限公司



品名 (ITEM NO)	A/F 短体10.0全贴卷边6.8
料号 (PART NO)	SHK-0098
型号 (MODEL NO)	

图号 (DWG NO)		单位 (UNIT): MM
版本 (REV)	A/0	比例 (SCALE) 1:1
日期 (DATE)		公差
设计 (DESIGN)		未注公差
审核 (CHECKED)		TOLERANCE UNSPECIFIED
核准 (APPROVED)		X.X ±0.30
		X.XX ±0.20
		X.XXX ±0.10
		X.X° ±5°
		X.X' ±2'