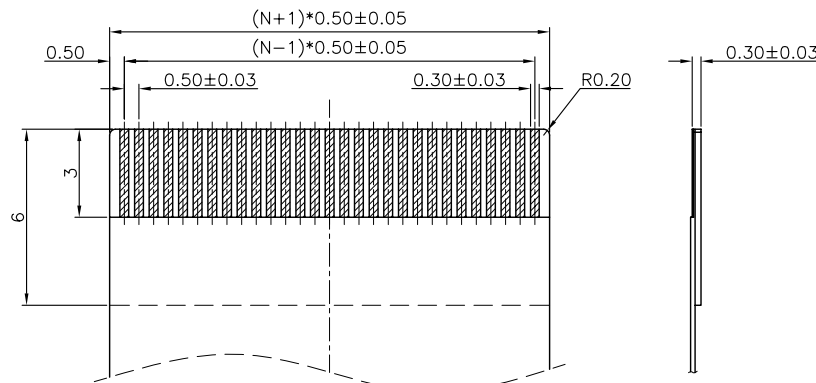
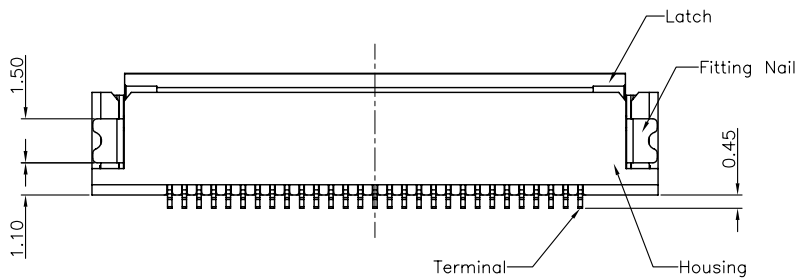
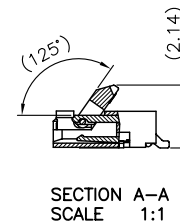
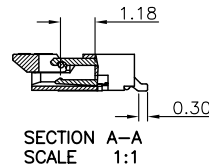
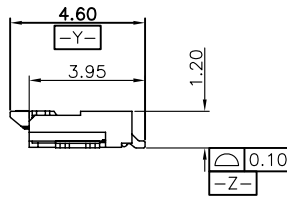
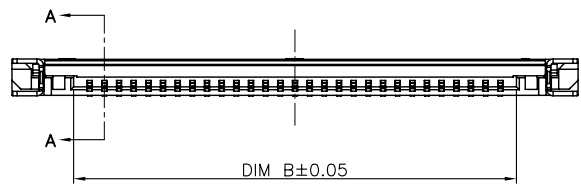


CKTS	DIM A	DIM B	DIM C	DIM D
4	1.50	2.60	6.80	4.58
5	2.00	3.10	7.30	5.08
6	2.50	3.60	7.80	5.58
7	3.00	4.10	8.30	6.08
8	3.50	4.60	8.80	6.58
9	4.00	5.10	9.30	7.08
10	4.50	5.60	9.80	7.58
11	5.00	6.10	10.30	8.08
12	5.50	6.60	10.80	8.58
13	6.00	7.10	11.30	9.08
14	6.50	7.60	11.80	9.58
15	7.00	8.10	12.30	10.08
16	7.50	8.60	12.80	10.58
17	8.00	9.10	13.30	11.08
18	8.50	9.60	13.80	11.58
19	9.00	10.10	14.30	12.08
20	9.50	10.60	14.80	12.58
21	10.00	11.10	15.30	13.08
22	10.50	11.60	15.80	13.58
23	11.00	12.10	16.30	14.08
24	11.50	12.60	16.80	14.58
25	12.00	13.10	17.30	15.08
26	12.50	13.60	17.80	15.58
27	13.00	14.10	18.30	16.08
28	13.50	14.60	18.80	16.58
29	14.00	15.10	19.30	17.08
30	14.50	15.60	19.80	17.58
31	15.00	16.10	20.30	18.08
32	15.50	16.60	20.80	18.58
33	16.00	17.10	21.30	19.08
34	16.50	17.60	21.80	19.58
35	17.00	18.10	22.30	20.08
36	17.50	18.60	22.80	20.58
37	18.00	19.10	23.30	21.08
38	18.50	19.60	23.80	21.58
39	19.00	20.10	24.30	22.08
40	19.50	20.60	24.80	22.58
41	20.00	21.10	25.30	23.08
42	20.50	21.60	25.80	23.58
43	21.00	22.10	26.30	24.08
44	21.50	22.60	26.80	24.58
45	22.00	23.10	27.30	25.08
46	22.50	23.60	27.80	25.58
47	23.00	24.10	28.30	26.08
48	23.50	24.60	28.80	26.58
49	24.00	25.10	29.30	27.08
50	24.50	25.60	29.80	27.58
51	25.00	26.10	30.30	28.08
52	25.50	26.60	30.80	28.58
53	26.00	27.10	31.30	29.08
54	26.50	27.60	31.80	29.58
55	27.00	28.10	32.30	30.08
56	27.50	28.60	32.80	30.58
57	28.00	29.10	33.30	31.08
58	28.50	29.60	33.80	31.58
59	29.00	30.10	34.30	32.08
60	29.50	30.60	34.80	32.58



- Note:
- Material:
 - Housing: thermoplastic high temp. UL94V-0; Color: natural.
 - Latch: thermoplastic high temp. UL94V-0; Color: black.
 - Terminal: copper alloy T=0.15mm
 - Fitting Nail: copper alloy T=0.15mm
 - Finish:
 - Terminal: Underplating: matt Tin overall.
 - Fitting Nail: Underplating: matt Tin overall.
 - Product must comply HF RoHS specification.

PART NO.	SPEC
AFC03-SXX	X X X X-HF
NO. OF CKTS	PACKING CODE
CONTACT TYPE	A:Tape & Reel
PLATING CODE	B:Tray package
1:GOLD FLASH 1u"	C:Tube
2:GOLD FLASH 2u"	E:Tape & Reel with Mylar
3:GOLD FLASH 3u"	F:Box with Mylar
C:MATT-Tin 90-120u"	G:Tube with Mylar

RECOMMENDED FPC/FFC DIMENSION

Halogen Free



CUSTOMER DRAWING	
Tolerance Unspecified (未注公差)	Size (规格): A4
0.0 ±0.15 0° ±5°	Unit (单位): MM
0.00 ±0.10 0° ±3°	Scale (比例): 1:1
0.000 ±0.05 0° ±1°	Page (页数): 1 OF 1
Project View (投影视角)	Rev (版本): A

深圳市顺宏康科技有限公司

Product Name (产品名称): 0.5Pitch H=1.2 FPC Easy-on CONN. R/A SMT TYPE
 Product No (产品料号): AFC03-S**FCA-HF SHK-10266

Rev	初版发行	2011/12/23	Allan
版本	Change Description	Date	Revisor
	变更内容	日期	制/修订人

Designer (设计): Steven 12/23'11
 Checked (审核): Allan 12/23'11
 Approved (核准):