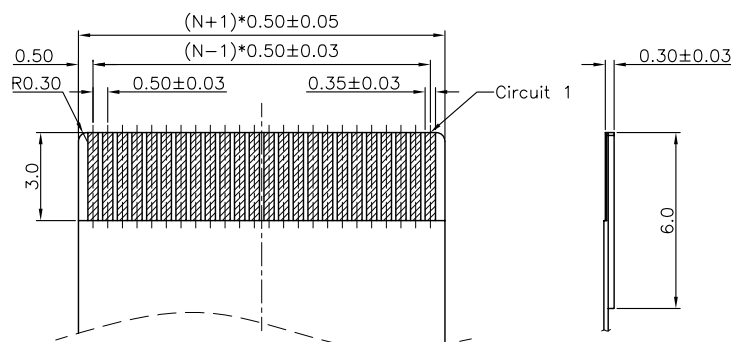
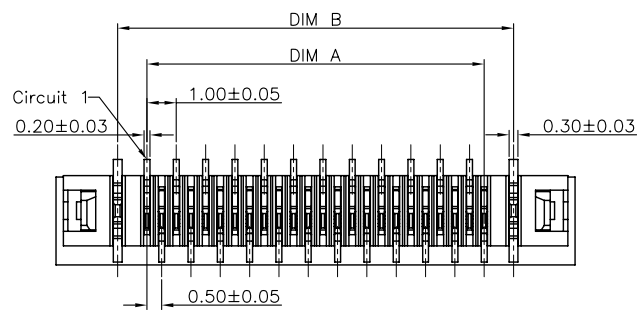
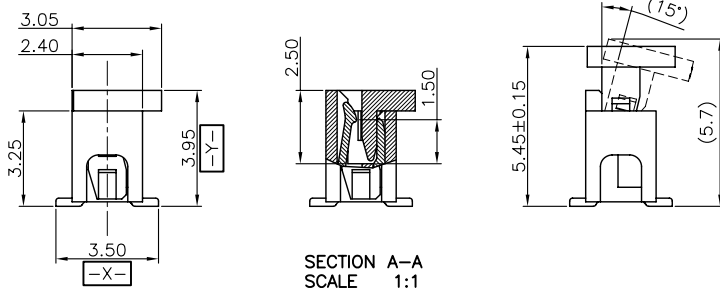
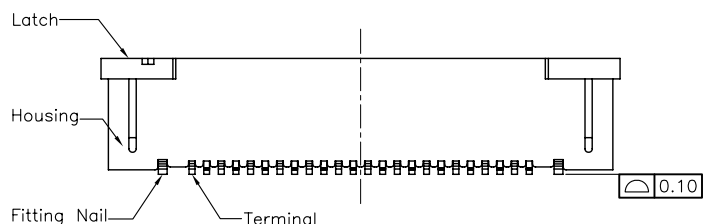


CKTS	DIM A	DIM B	DIM C	DIM D
6	2.50	4.50	3.60	8.70
7	3.00	5.00	4.10	9.20
8	3.50	5.50	4.60	9.70
9	4.00	6.00	5.10	10.20
10	4.50	6.50	5.60	10.70
11	5.00	7.00	6.10	11.20
12	5.50	7.50	6.60	11.70
13	6.00	8.00	7.10	12.20
14	6.50	8.50	7.60	12.70
15	7.00	9.00	8.10	13.20
16	7.50	9.50	8.60	13.70
17	8.00	10.00	9.10	14.20
18	8.50	10.50	9.60	14.70
19	9.00	11.00	10.10	15.20
20	9.50	11.50	10.60	15.70
21	10.00	12.00	11.10	16.20
22	10.50	12.50	11.60	16.70
23	11.00	13.00	12.10	17.20
24	11.50	13.50	12.60	17.70
25	12.00	14.00	13.10	18.20
26	12.50	14.50	13.60	18.70
27	13.00	15.00	14.10	19.20
28	13.50	15.50	14.60	19.70
29	14.00	16.00	15.10	20.20
30	14.50	16.50	15.60	20.70
31	15.00	17.00	16.10	21.20
32	15.50	17.50	16.60	21.70
33	16.00	18.00	17.10	22.20
34	16.50	18.50	17.60	22.70
35	17.00	19.00	18.10	23.20
36	17.50	19.50	18.60	23.70
37	18.00	20.00	19.10	24.20
38	18.50	20.50	19.60	24.70
39	19.00	21.00	20.10	25.20
40	19.50	21.50	20.60	25.70
41	20.00	22.00	21.10	26.20
42	20.50	22.50	21.60	26.70
43	21.00	23.00	22.10	27.20
44	21.50	23.50	22.60	27.70
45	22.00	24.00	23.10	28.20
46	22.50	24.50	23.60	28.70
47	23.00	25.00	24.10	29.20
48	23.50	25.50	24.60	29.70
49	24.00	26.00	25.10	30.20
50	24.50	26.50	25.60	30.70



Note:

1. Material:
 - 1.1 Housing: thermoplastic high temp. UL94V-0; Color: natural.
 - 1.2 Latch: thermoplastic high temp. UL94V-0; Color: black.
 - 1.3 Terminal: copper alloy T=0.20mm
 - 1.4 Fitting Nail: copper alloy T=0.30mm
2. Finish:
 - 2.1 Terminal: Underplating: matt Tin overall.
 - 2.2 Fitting Nail: Underplating: matt Tin overall.
3. Product must comply HF RoHS specification.

PART NO. SPEC

AF3K XX R * S O T 1 0_QQ01

NO. OF CKTS

CONTACT TYPE
R:180° SMT Normal
L:180° SMT Reverse

PACKING CODE

P:Tape & Reel
T:Tube

PLATING CODE

0:MATT-Tin 90-120u"
1:GOLD FLASH 1u"
2:GOLD FLASH 2u"
3:GOLD FLASH 3u"
A:Point Gold-plated 1u"
B:Point Gold-plated 2u"
C:Point Gold-plated 3u"



Tolerance (公差)		Size (图幅):	
0.0	±0.15 0° ±5°	A4	
0.00	±0.10 0° 0° ±3°	MM	
0.000	±0.05 0° 00 ±1°	Scale (比例): 1:1	
Project View (投影视角): 1 OF 1		Page (页数): 1 OF 1	
Rev (版本): A		Rev (版本): A	

深圳市顺宏康科技有限公司

Product Name (产品名称):		0.5Pitch H=4.0 FPC ZIF CONN. S/A SMT Normal TYPE(RA)	
Product No (产品料号):		AF3KXXR*SOT10_QQ01 SHK-10279	
Designer (设计):	Checked (审核):	Approved (核准):	
Steven 12/23/11	Allan 12/23/11		

Rev 版本	Change Description 变更内容	Date 日期	Revisor 制/修订人
A	初版发行	2011/12/23	Allan