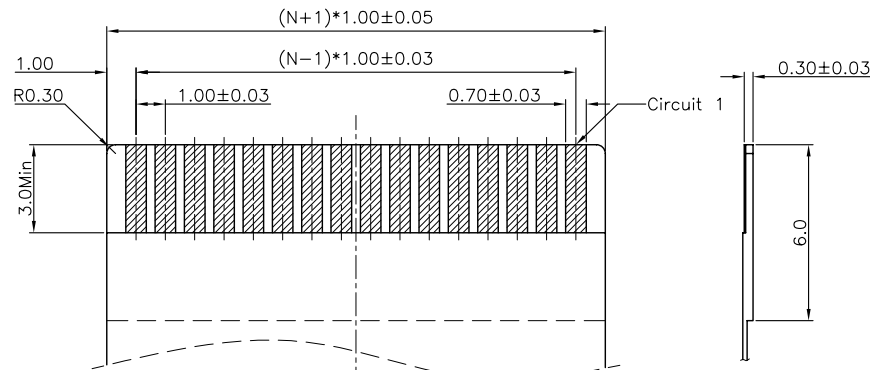
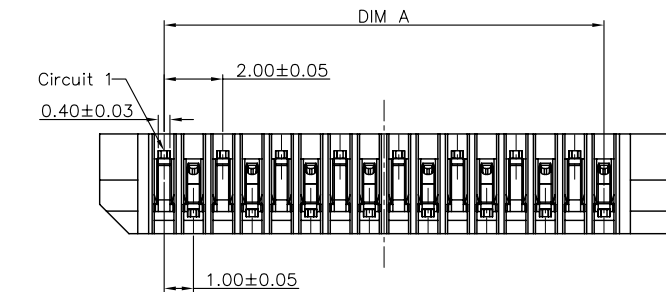
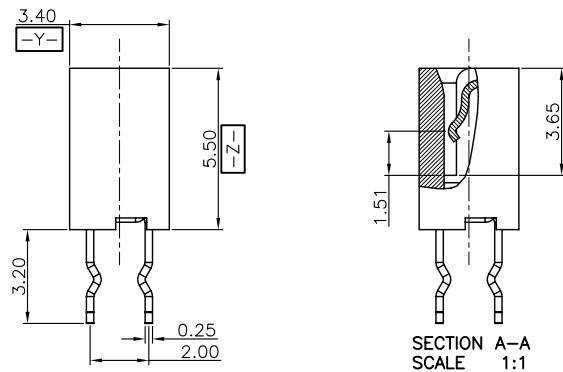
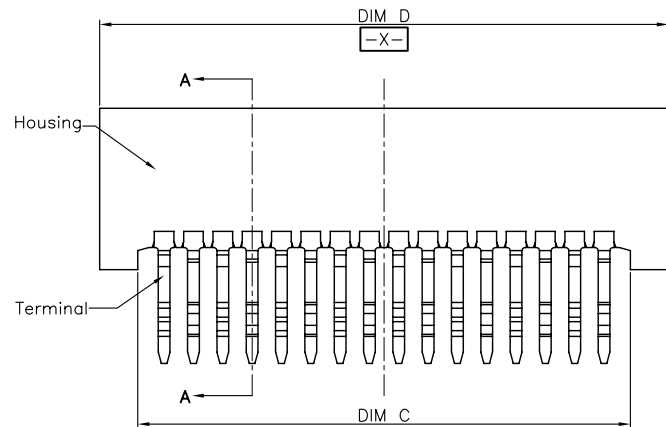


RECOMMENDED P.C.B PATTERN LAYOUT



RECOMMENDED FPC/FFC DIMENSION

CKTS	DIM A	DIM B	DIM C	DIM D
4	3.00	5.10	4.80	7.40
5	4.00	6.10	5.80	8.40
6	5.00	7.10	6.80	9.40
7	6.00	8.10	7.80	10.40
8	7.00	9.10	8.80	11.40
9	8.00	10.10	9.80	12.40
10	9.00	11.10	10.80	13.40
11	10.00	12.10	11.80	14.40
12	11.00	13.10	12.80	15.40
13	12.00	14.10	13.80	16.40
14	13.00	15.10	14.80	17.40
15	14.00	16.10	15.80	18.40
16	15.00	17.10	16.80	19.40
17	16.00	18.10	17.80	20.40
18	17.00	19.10	18.80	21.40
19	18.00	20.10	19.80	22.40
20	19.00	21.10	20.80	23.40
21	20.00	22.10	21.80	24.40
22	21.00	23.10	22.80	25.40
23	22.00	24.10	23.80	26.40
24	23.00	25.10	24.80	27.40
25	24.00	26.10	25.80	28.40
26	25.00	27.10	26.80	29.40
27	26.00	28.10	27.80	30.40
28	27.00	29.10	28.80	31.40
29	28.00	30.10	29.80	32.40
30	29.00	31.10	30.80	33.40

- Note:
- Material:
 - Housing: thermoplastic high temp. UL94V-0; Color: natural.
 - Terminal: copper alloy T=0.25mm.
 - Finish:
 - Terminal: Underplating: matt Tin overall.
 - Product must comply HF RoHS specification.

PART NO. SPEC
AF2A XX S * S 0 T 1 0_Q0

NO. OF CKTS [] PLATING CODE []

CONTACT TYPE [] 0: MATT-Tin 90-120u"
S: 180° DIP Normal 1: GOLD FLASH 1u"
D: 180° DIP Reverse 2: GOLD FLASH 2u"
3: GOLD FLASH 3u"

PACKING CODE [] A: Point Gold-plated 1u"
P: Tape & Reel B: Point Gold-plated 2u"
T: Tube C: Point Gold-plated 3u"



CUSTOMER DRAWING 深圳市顺宏康科技有限公司

Tolerance Unspecified (未注公差)	Size (规格): A4	Product Name (产品名称):
0.0 ±0.15 0° ±5°	Unit (单位): MM	1.0Pitch H=5.5 FPC Non-ZIF CONN. S/A DIP Normal A Type
0.00 ±0.10 0° 0° ±3°	Scale (比例): 1:1	Product No (产品料号):
0.000 ±0.05 0° 00 ±1°	Page (页数): 1 OF 1	AF2AXXS*SOT10_Q0 SHK-10286
Project View (投影视角):	Rev (版本): A	Designer (设计): Steven 12/23'11
Checked (审核):	Approved (核准):	Allan 12/23'11

Rev	Change Description	Date	Revisor
A	初版发行	2011/12/23	Allan
版本	变更内容	日期	制/修订人