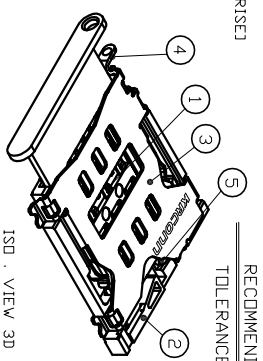
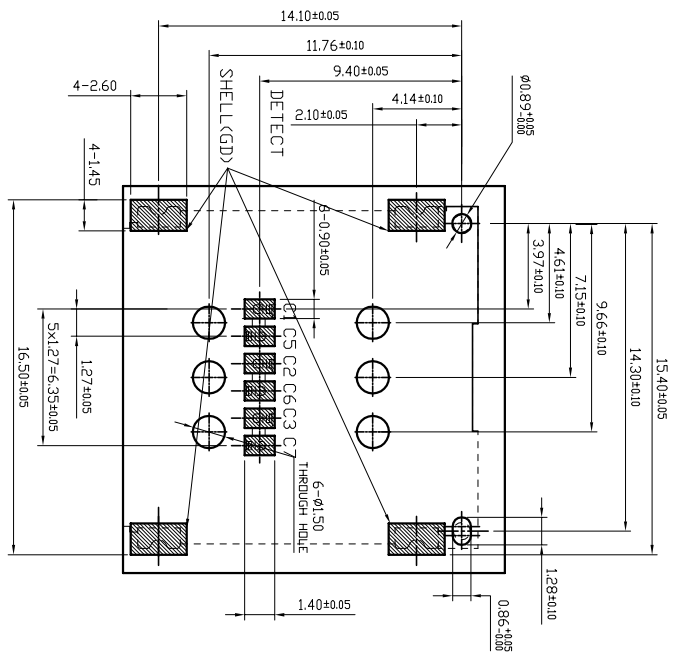


- NOTES:
- ELECTRICAL CHARACTERISTICS:
 - CURRENT RATING: 1 Amp/PIN MAX.
 - VOLTAGE: 30V DC MAX
 - LDV LEVEL CONTACT RESISTANCE: 30 mOhms MAX. INITIALLY.
 - DIELECTRIC WITHSTANDING VOLTAGE: 500V AC MIN FOR 1 MINUTE.
 - INSULATION RESISTANCE: 100M Ohms MIN. (DC 500V FOR 1 MINUTE)
 - MECHANICAL CHARACTERISTICS:
 - DURABILITY: 1500 CYCLES.
 - OPERATING FORCE INSERTING & WITHDRAWAL: IN-10N.
 - ENVIRONMENTAL CHARACTERISTICS:
 - OPERATING TEMP. RANGE: -25°C TO 85°C (INCLUDING TERMINAL TEMP. RISE)
 - STORAGE TEMP.: -40°C TO 85°C.
 - QUANTITY OF PRODUCTS: 1000PCS/REEL MIN.
 - PLEASE CONTACT SALES REPRESENTATIVE TO VERIFY PRODUCT DETAILS.
 - PART No.:
- SIM SERIES: S1 SP - 15 00 06 - 16 G
- 1=WITH POST Simple Type. 15=HEIGHT 15mm
- G=gold flash 16=Product Pin No. 06=6Pin 00=NORMAL TYPE.



RECOMMENDED PC BOARD LAYOUT
TOLERANCE: ±0.05(TOP VIEW)

5	HINGE	1	SUS. NO PLATING
4	LEVER	1	SUS. NO PLATING
3	SHELL	1	SUS. GOLD PLATING
2	HOUSING	1	LCP,BLACK
1	CONTACT	1	BRONZE ALLOY, GOLD PLATING
ITEM	PART NAME	QTY	DESCRIPTION

UNLESS OTHERWISE SPECIFIED TOLERANCES

DECIMALS:	ANGLES:
X ±0.5	X ±2°
X.X ±0.20	X.X ±1°
X.XX ±0.10	

1SD . VIEW 3D

深圳市顺宏康科技有限公司



TITLE	NAND SIM Card 6pin 15H CONN WITH LEVER (NO DETECT)	SHK-10373
DWN	JOHNLE	PART NO.
CHKD	KEVIN.D	SCALE:1:1
APVD	SIMDNM	SIZE: A4
		SHEET:1/DF 1
		REV: B

CUSTOMER COPY

REV.	ECN NO OR DESCRIPTION	REVISED	DATE
△1	PROPOSE ONLY	SIMDN	2013.01.23
△3	取消外壳DIP脚, 提高组装效率	SIMDN	2013.10.13