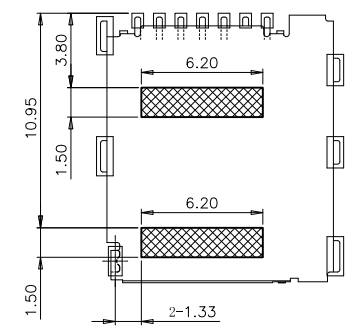
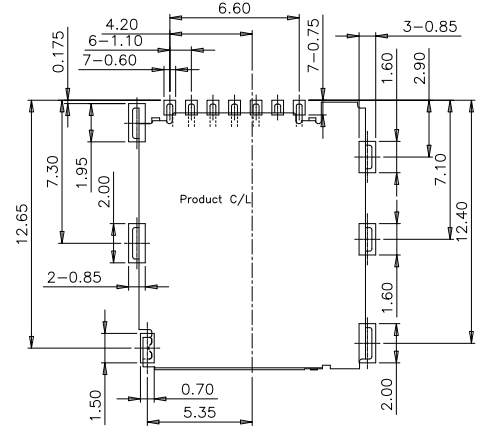
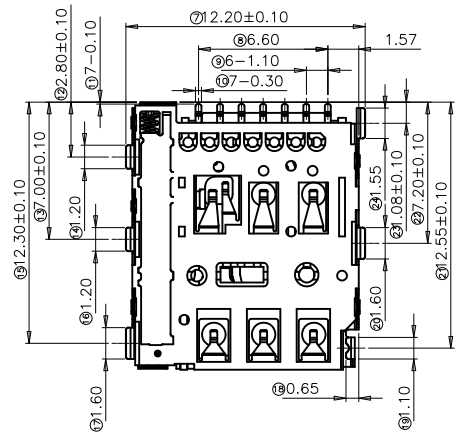
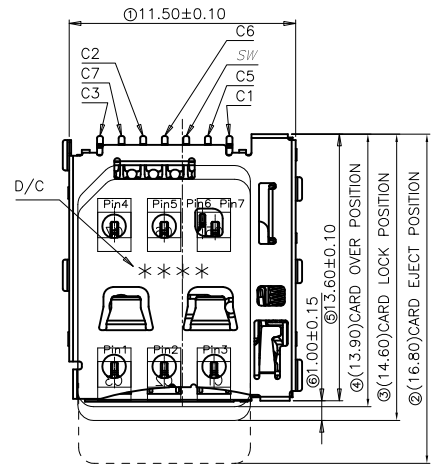
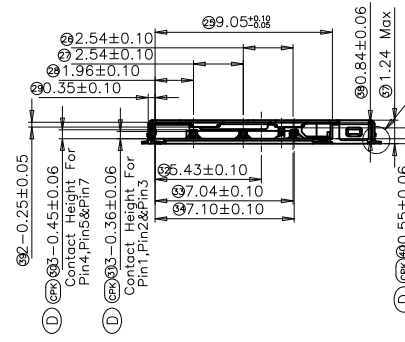


REV.	ECN NO OR DESCRIPTION	REVISED	DATE
▽	PROPOSE ONLY	ALLEN	2015.06.04

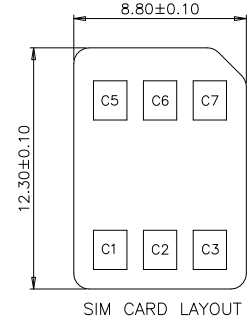
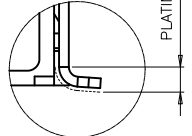


RECOMMENDED PCB LAYOUT
(TOLERANCE: ±0.05)

NO PATTERN AREA
(TOLERANCE: ±0.05)



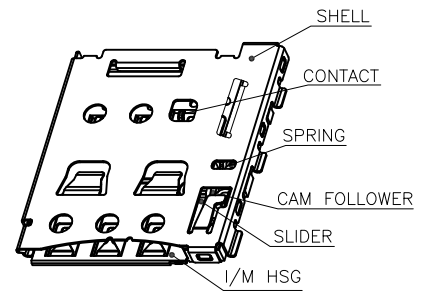
DETAIL A
0.08 BEFORE IR
0.10 AFTER IR
ALL SMT SOLDER TAIL



0.67^{+0.03}_{-0.07}

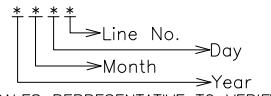
Connector Pin Assignment

No.	Pin Name	Description
①	C1	Vcc of SIM
②	C2	RST of SIM
③	C3	CLK of SIM
④	C5	GND of SIM
⑤	C6	Vpp of SIM
⑥	C7	I/O of SIM
⑦	SW	Detection Switch



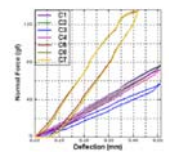
NOTES:

- FINISH
 - CONTACT:
CONTACT AREA: Au 15u" Min.
GOLD FLASH PLATING ON SOLDER AREA
 - SHELL:
SOLDER AREA: Gold flash
- ELECTRICAL REQUIREMENTS:
 - CURRENT RATING: 0.5A PER PIN.
 - CONTACT RESISTANCE: 50 mOhm MAX.
 - INSULATION RESISTANCE: 1000 MOhm MIN.200 VDC FOR 1 MINUTE.
 - WITHSTANDING STRENGTH: 500V AC FOR 1 MINUTE.
- MECHANICAL REQUIREMENTS:
 - DURABILITY: 3,000 CYCLES MIN.
- ENVIRONMENT REQUIREMENTS:
 - OPERATING TEMP.: -30°C TO +85°C
 - STORAGE TEMPERATURE: -40°C TO +85°C
- RECOMMENDED PROCESS CONDITION:
 - IR-REFLOW, PEAK TEMPERATURE AND TIME: 250°C, 5~10 S.
- DATE CODE SPECIFICATIONS.

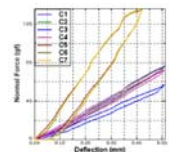


7. PLEASE CONTACT KRCONN SALES REPRESENTATIVE TO VERIFY PRODUCT DETAILS & AVAILABILITY.

Nano contact NF



Micro contact NF



ITEM	PART NAME	MATERIAL	Q'TY	DISCRPTION
6	SPRING	SUS301-H	1	NO PLATING;
5	CAM FOLLOWER	SUS304-H	1	NO PLATING;
4	SLIDER	SUS301-2/1H+HTN	1	NO PLATING?BLACK COLOR
3	SHELL	SUS301-H	1	Plating Ni 10~50u" over all SOLDER AREA Plating Au 3u" Min
2	I/M HSG	LCP SZ6505	1	BLACK COLOR, UL94 V-0
1	CONTACT	C7035-XS	1	Plating 50u" ~200u" Ni over all, Plating 15u" Min. Au at contact area; Plating 5u" Min. Au at switch area; Plating 3u" Min. Au at solder area;

UNLESS OTHERWISE SPECIFIED TOLERANCES

DECIMALS: X :±0.5 X.X :±0.20 X.XX :±0.10

ANGLES: X :±2° X.X :±1°

深圳市顺宏康科技有限公司

TITLE: 6Pin 1.2H PUSH PUSH Nano SIM CARD CONN.

DWN ALLEN PART NO. SHK-10382

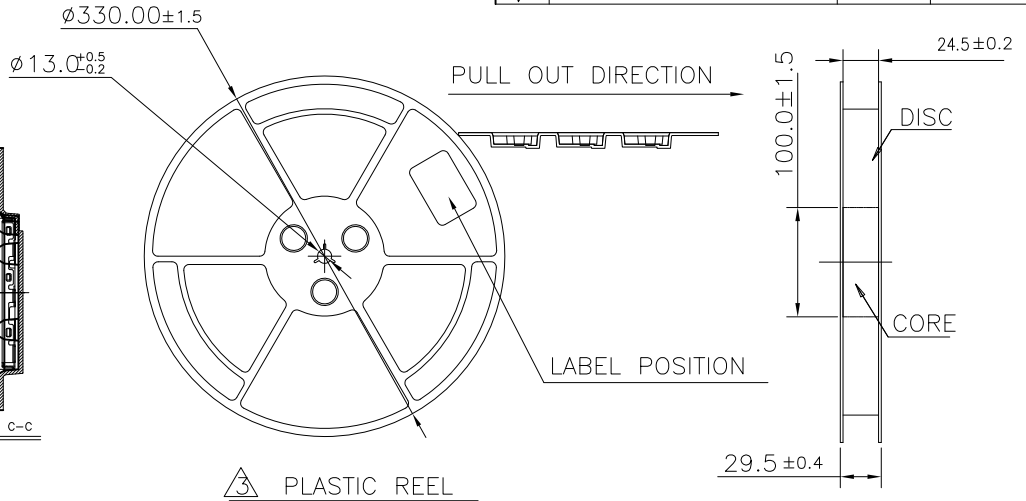
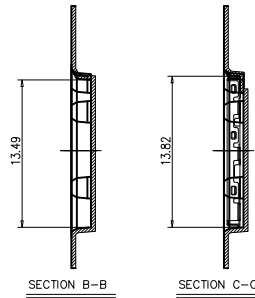
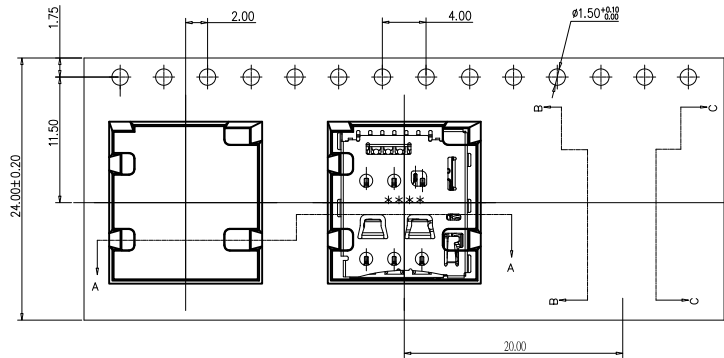
CHKD KEVIN SCALE:1:1 UNIT: mm

APVD ERIC.W SIZE: A3 SHEET:1OF 1 REV: A2

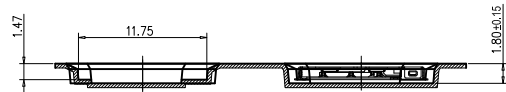
CUSTOMER COPY

REV.	ECN NO OR DESCRIPTION	REVISED	DATE
▽	PROPOSE ONLY	ALLEN	2015.06.04

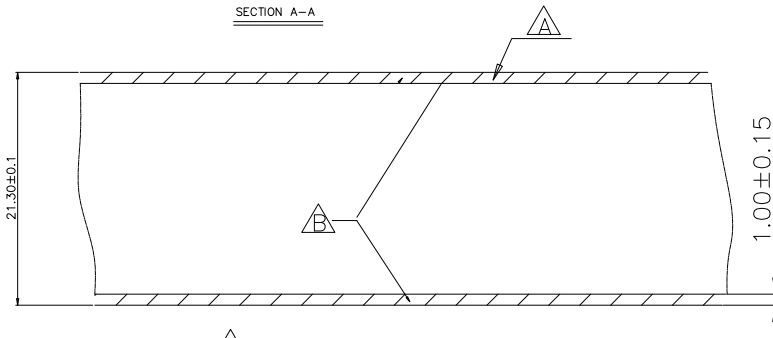
← PRODUCT PACKAGING DIRECTION
 CUSTOMER TO USE DIRECTION →



3 PLASTIC REEL

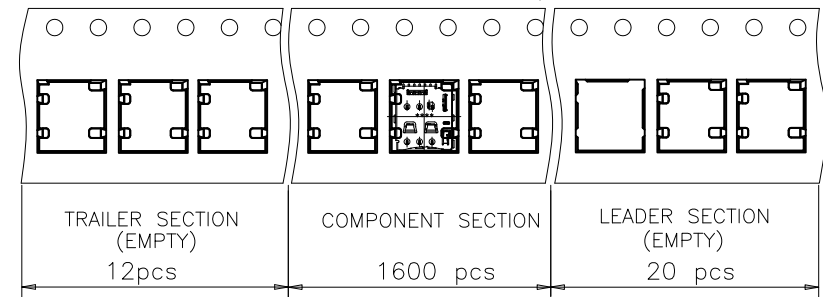


SECTION A-A



2 TOP COVER TAPE

USER DIRECTION OF FEEDING →



PEELING DIRECTION 165°-180°

TAKING OUT DIRECTION

NOTES:

- 1 CARRIER TAPE MATERIAL: THERMOPLASTIC ANTI-STATIC FILM OR EQUIVALENT THICKNESS: 0.40±0.03 mm, COLOR: TRANSPARENT
- 2 TOP COVER TAPE MATERIAL:
 - A BASE FILM: CONDUCTIVE OR EQUIVALENT. THICKNESS: 0.10mm MAX.
 - B PSA(PRESSURE SENSITIVE ADHESIVE) ON ONE SIDE OF THE BASE FILM.
- 3 PLASTIC REEL MATERIAL: HIGH IMPACT POLYSTYRENE (CONDUCTIVE)
 - DISC THICKNESS: 2.5mm
 - CORE THICKNESS: 16.5mm
 - COLOR: BLUE
4. PACKING QUANTITY: 1600pcs/REEL
5. THE DESIGN MEETS EIA-481-C EXCEPT OTHERWISE SPECIFIED.
6. THE DIMENSIONING SHALL BE INTERPRETED PER ASME Y14.5M-1994.
7. HARMFUL MATERIAL CONTROL PLEASE FOLLOW DOC.NO."EPI12".



UNLESS OTHERWISE SPECIFIED TOLERANCES		深圳市顺宏康科技有限公司			
DECIMALS:	ANGLES:	TITLE	6Pin 1.2H PUSH PUSH Nano SIM CARD CONN.		
X :±0.5	X :±2°	DWN	ALLEN	PART NO.	SHK-10382
X.X :±0.20	X.X :±1°	CHKD	KEVIN	SCALE:1:1	UNIT: mm
X.XX :±0.10		APVD	ERIC.W	SIZE: A3	SHEET:10F 1
		CUSTOMER COPY			
		REV: A2			