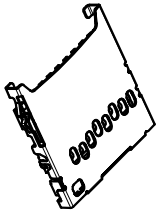
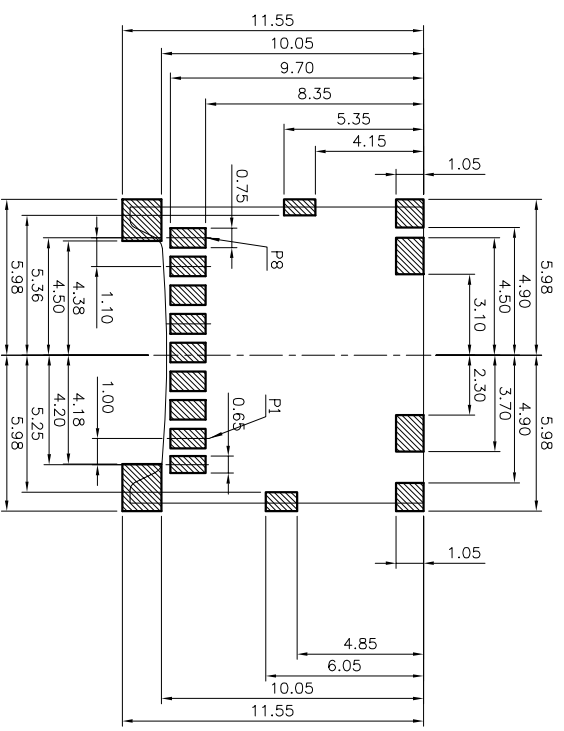
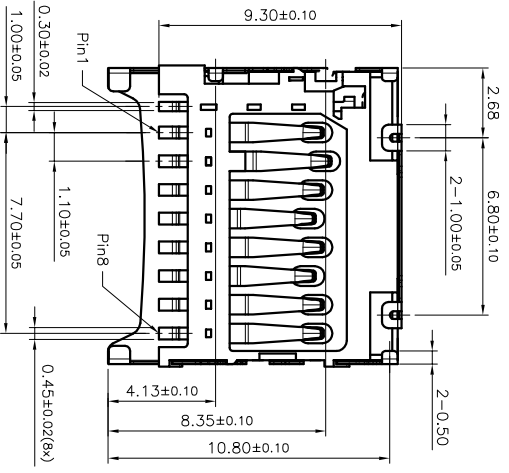
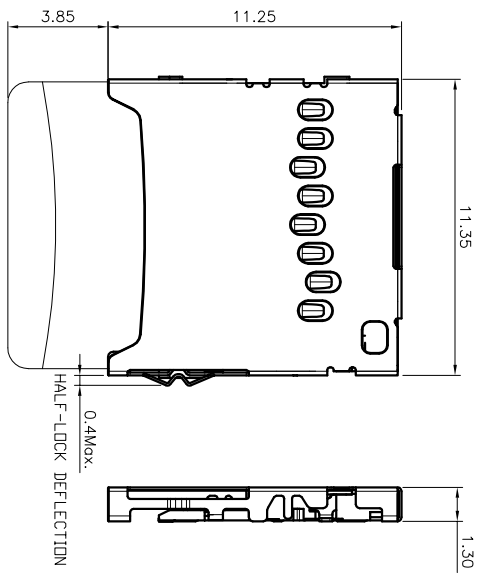
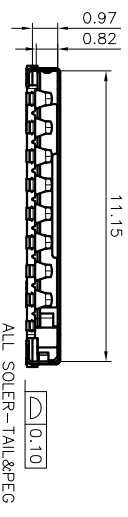


REV.	ECN NO OR DESCRIPTION	REVISED	DATE
1	PROPOSE ONLY	ALLEN	2011.06.25
2	MODIFY THE SHELL	ALLEN	2013.09.25



(Part Mounting Side)  
GENERAL TOLERANCE ±0.05  
RECOMMENDED P.C.BOARD LAYOUT(TOP VIEW)



- NOTE:
- ELECTRICAL CHARACTERISTICS
    - CONTACT RESISTANCE: 80 milliohms MAX.
    - INSULATION RESISTANCE: 1,000 Megohms MIN.
    - DIELECTRIC WITHSTANDING VOLTAGE: 500V AC MIN FOR 1 MINUTE.
  - MECHANICAL CHARACTERISTICS
    - RETENTION FORCE: MIN. 100gf/PIN
    - DURABILITY: 5,000 CYCLES
    - PRODUCT COMPLIED WITH ROHS

3. PART No.: T 0 SP - 13 01 08 - 06 G

T-FLASH  
0=WITHOUT POST  
SP=SIMPLE Type.  
1.3:HEIGHT 1.32mm

G=gold flash  
06=Product Order Pin NO. 8=8Pin  
01=NORMAL TYPE.

MICRO SD CARD

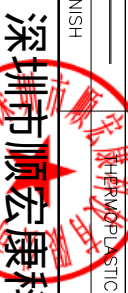
PIN NO.	NAME	TYPE	DESCRIPTION
P1	DATE 2	I/O/PP	DATE LINE(BIT 2)
P2	CD/DAT 3	I/O/PP	CARD DETECT DATE LINE(BIT3)
P3	CMD	PP	COMMAND RESPONSE
P4	VDD	S	SUPPLY VOLTAGE
P5	CLK	I	CLOCK
P6	VSS	S	
P7	DAT 0	I/O/PP	DATE LINE(BIT 0)
P8	DAT 1	I/O/PP	DATE LINE(BIT 1)

ITEM	NAME	Q'TY	FINISH	NOTE
1	HOUSING	1	Ni/Au PLATING	SUS Applied On solder area
2	SHELL	1	Ni/Au PLATING	TERMOPLASTIC; COLOR:BLACK
3	CONTACT	8	Ni/Au PLATING	
4	SW A	1	Ni/Au PLATING	
5	SW B	1	Ni/Au PLATING	

UNLESS OTHERWISE SPECIFIED TOLERANCES

DECIMALS: ANGLES: TITLE 1.32H T-FLASH CARD CONN

DWN	ALLEN	PART NO. T0SP-130108-06G	UNIT: mm	REV: A2
CHKD	KEVIN	SCALE:1:1	SHEET:1 OF 1	
APVD	ERIC.W	SIZE: A3		



深圳市恒宏康科技有限公司

CUSTOMER COPY