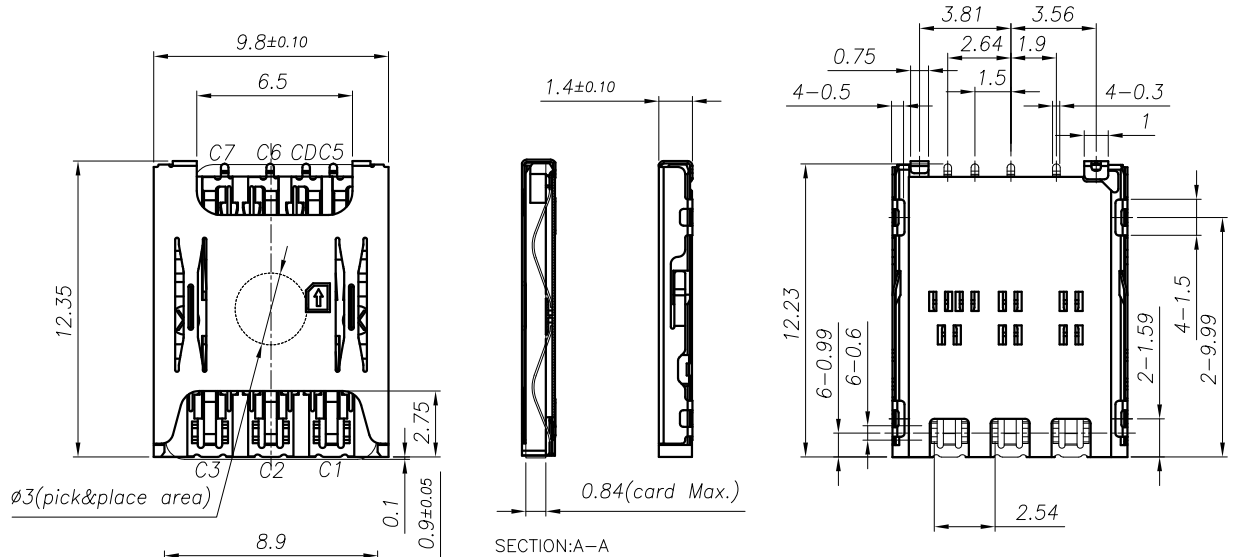


REV.	ECN NO OR DESCRIPTION	REVISED	DATE
1	PROPOSE ONLY	ALLEN	2017.06.23
2	修改端子为组装防溃 PIN	ALLEN	2018.01.12

SW Circuit Description for Connector:

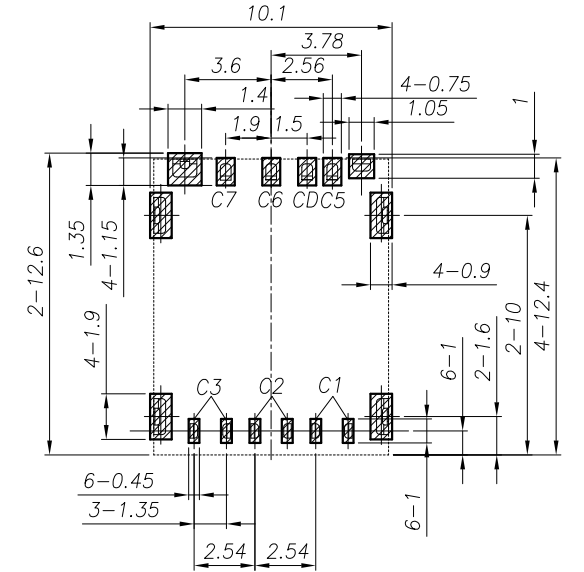
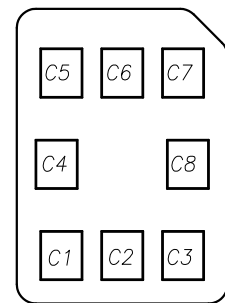
CARD INSERTION STATE	DETECT SWITCH CIRCUIT STATE	SCHEMATIC
UNMATED	OPENED	DETECT PIN C5
MATED	CLOSED	DETECT PIN C5



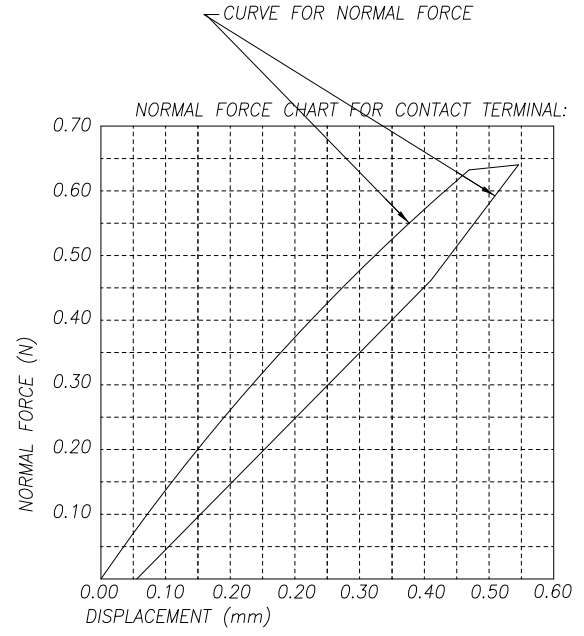
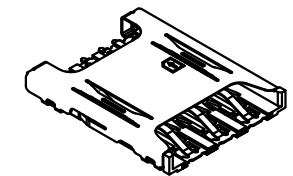
SECTION:A-A

【 SIM Card Pin Assignments 】

PIN	Name
C1	Vcc
C2	RST
C3	CLK
C4	Reserved
C5	GND
C6	Vpp
C7	I/O
C8	Reserved



RECOMMENDED PCB LAYOUT TOP VIEW (TOLERANCE:±0.05)
RECOMMENDED METAL MASK T=0.12MM



- NOTES:
- MATERIAL:SEE TABLE
 - SPECIALITY:
 - Rated current: 0.5A Max
 - Rated voltage: 30V AC
 - Contact Resistance:100mohm MAX
 - Insulation Resistance:1000Mohm MIN 500V DC
 - Dielectric withstanding voltage: 500V AC/minute.
 - Solder ability:250±5 10±0.5s.
 - Durability:5000 Cycles
 - Mating and Unmating force
Insertion Force 10N Max
Withdrawal Fore 0.5N Min

3. PART No.:

NS 0 DD - 14 00 06- 10 G

Nano SIM CON.]
 0=WITHOUT POST]
 DD=WITH UPLOCK]
 14:HEIGHT 1.4mm]
] G=Gold Plating
] 30=Product Order
] Pin NO. 6=6Pin
] 00=NORMAL TYPE.(ON PCB)

③	TERMINAL	6	C5210-EH,T=0.12	Au 5u" PLATING
②	BASE INSULATOR	1	LCP+GF30%	BLACK
①	SHELL	1	SUS304 ,T=0.12	AU/Ni PLATING
NO.	PART NAME	Q'TY	DESCRIPTION	NOTE

UNLESS OTHERWISE SPECIFIED TOLERANCES

DECIMALS: X :±0.5 X.X :±0.20 X.XX :±0.10

ANGLES: X :±2° X.X :±1°

TITLE: 6Pin 14H PUSH PULL Nano SIM CARD CONN.

DWN: ALLEN PART NO. NS0DD-140006-10G

CHKD: KEVIN SCALE:1:1 UNIT: mm

APVD: ERIC.W SIZE: A3 SHEET:10F 1 REV: A2

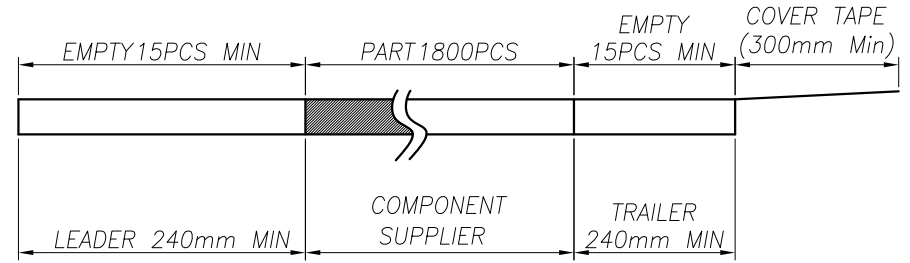
CUSTOMER COPY

深圳市顺宏康科技有限公司

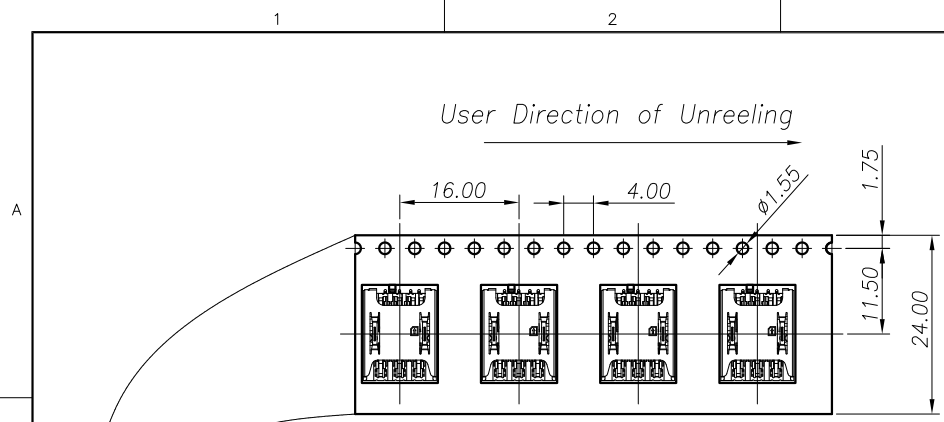
REV.	ECN NO OR DESCRIPTION	REVISED	DATE
▽	PROPOSE ONLY	ALLEN	2017.06.23

NOTES

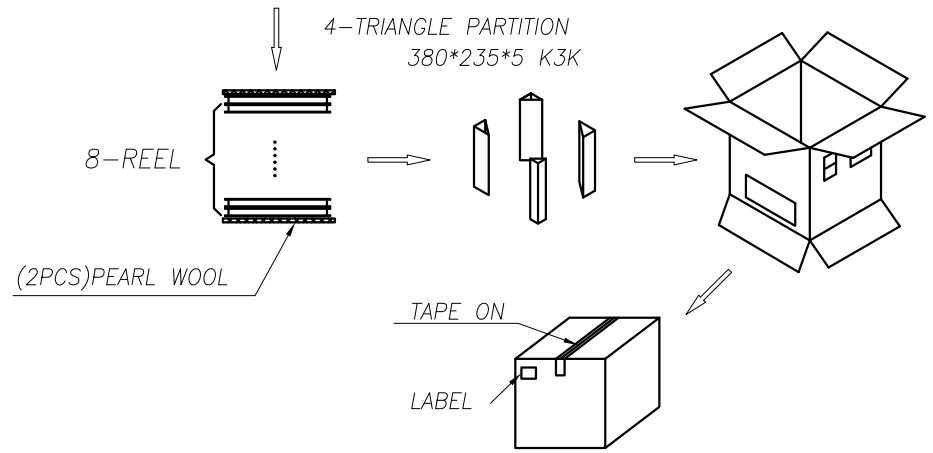
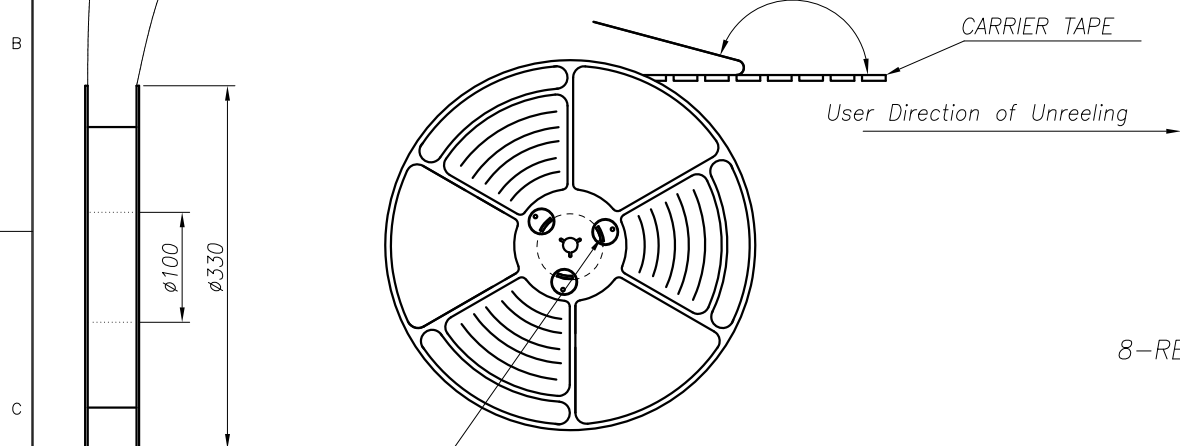
1. NUMBER OF CONNECTORS: 1800PCS/REEL
2. LEAD TAPE LENGTH



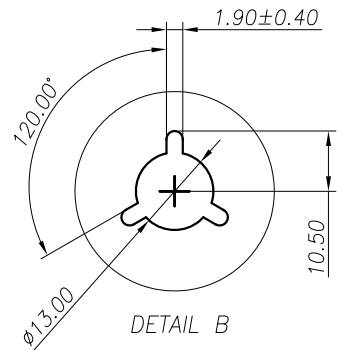
3. QUANTITY: 14400PCS/CARTON
4. WEIGHT :
 - 3.1 NET WEIGHT : 2.4Kg
 - 3.2 GROSS WEIGHT : 6.5Kg



COVER TAPE PEELING ANGLE: 165°~180°
PEELING FORCE: 20~130g



DETAIL B



UNLESS OTHERWISE SPECIFIED TOLERANCES					
DECIMALS:	ANGLES:	TITLE	6Pin 1.4mm PUSH PULL Nano SIM CARD CONN. 包装规范		
X :±0.5	X :±2°	DWN	ALLEN	PART NO. PK-NSODD-140006-10G	
X.X :±0.20	X.X :±1°	CHKD	KEVIN	SCALE: 1:1	UNIT: mm
X.XX :±0.10		APVD	ERIC.W	SIZE: A3	SHEET: 10F 1
		REV: A2			
CUSTOMER COPY					