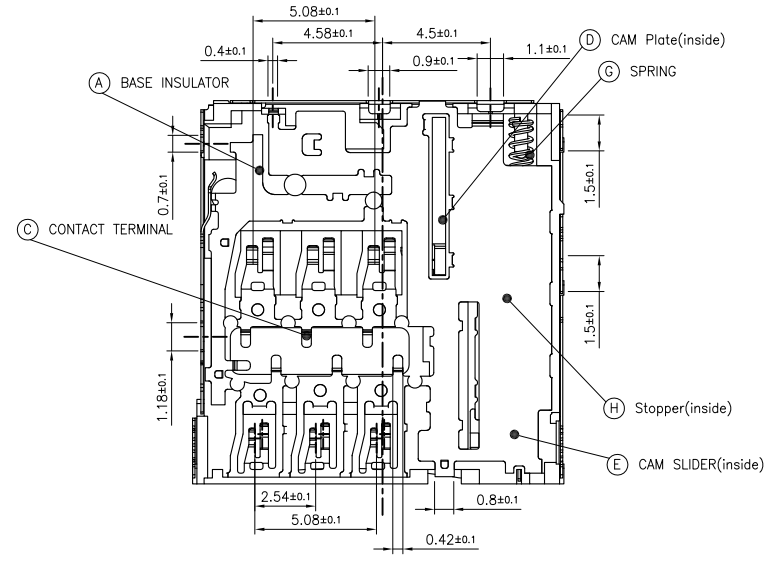
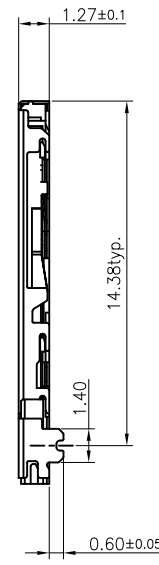
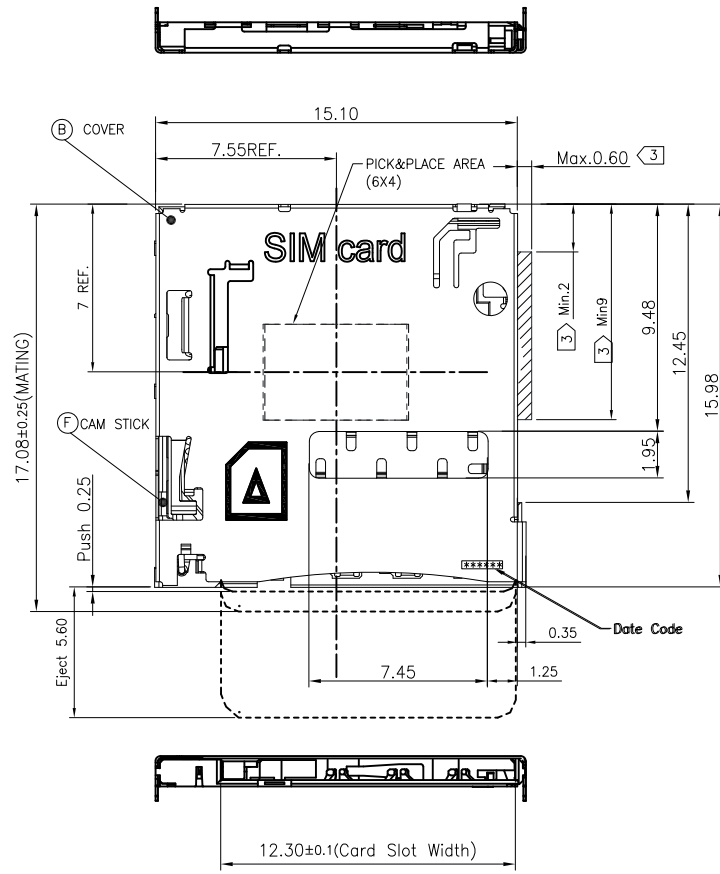
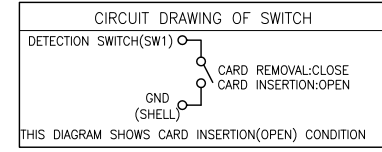


REV.	ECN NO OR DESCRIPTION	REVISED	DATE
1	PROPOSE ONLY	ALLEN	2012.10.08
3	取消外壳的检测弹片镂空槽	ALLEN	2017.04.19

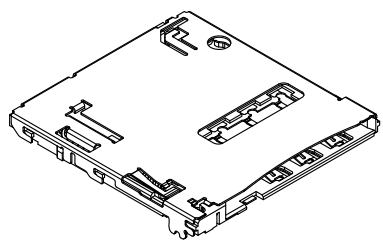


- (NOTE)
- LEAD Co-planarity :Max 0.08mm
 - No rust, contamination, damage nor deformation effecting on function
 - Switch moving area
 - Non-cumulative tolerance
 - Circuit Drawing of switch



6. PART No.:
S 0 PP - 13 00 06- 14 G

0=WITHOUT POST G=gold plating
PP=PUSH Type. 14=Product Order
13:HEIGHT 1.27mm Pin NO. 6=6Pin
00=NORMAL TYPE.(ON PCB)



NO.	Description	Material	Finish
A	BASE INSULATOR	LCP	Black Color
B	COVER	Stainless	Not hold down : Nickel Hold down : Au flash over Nickel
C	CONTACT TERMINAL	Corson Alloy	Nickel Barrier Contact: Au over Nickel Lead : Au flash over Nickel
D	CAM Plate	Corson Alloy	Nickel
E	CAM SLIDER	LCP	Black Color
F	CAM STICK	Stainless	-
G	SPRING	Stainless	-
H	Stopper	Stainless	-

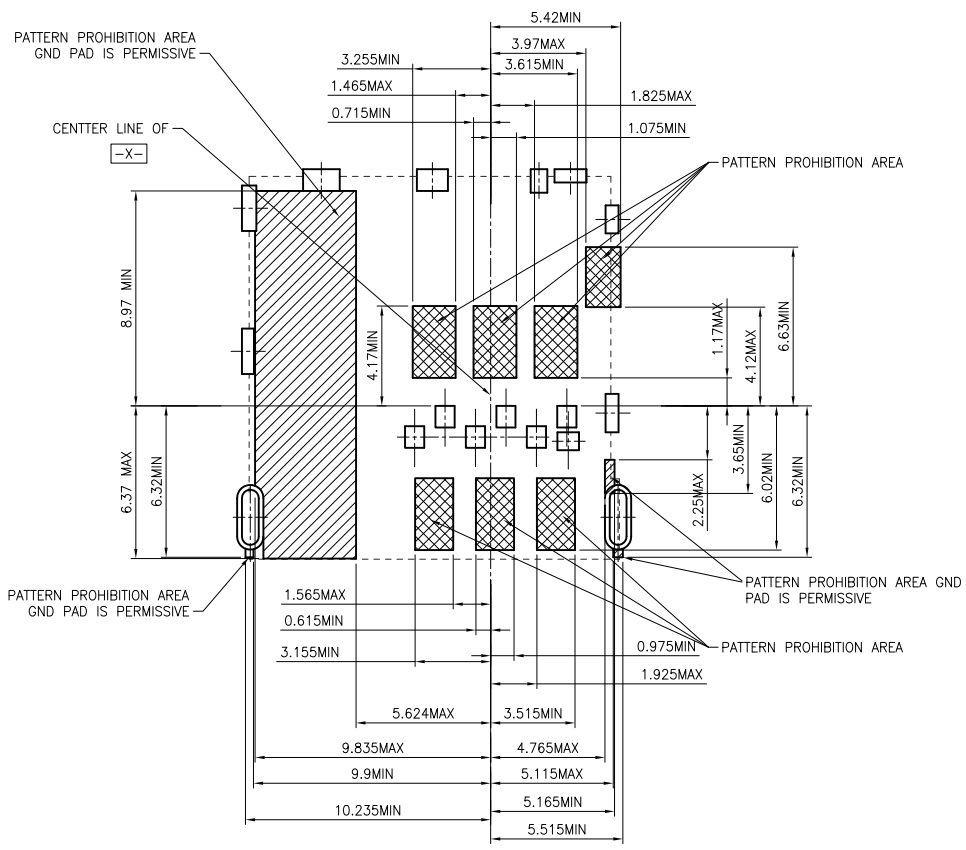
UNLESS OTHERWISE SPECIFIED TOLERANCES

深圳市顺宏康科技有限公司

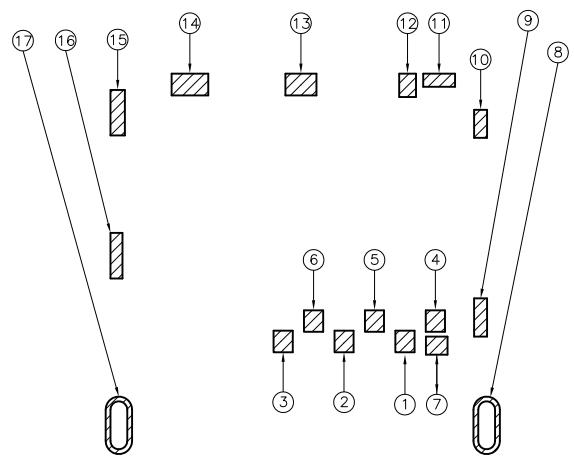
DECIMALS:	ANGLES:	TITLE	1.27mm (DIP:1.4mm) Push Micro SIM CARD CONN.		
X :±0.5	X :±2°	DWN	ALLEN	PART NO. SOPP-130006-14G	
X.X :±0.20	X.X :±1°	CHKD	KEVIN	SCALE:1:1	UNIT: mm
X.XX :±0.10		APVD	ERIC.W	SIZE: A3	SHEET:1 OF 2
REV: A3					

CUSTOMER COPY

REV.	ECN NO OR DESCRIPTION	REVISED	DATE
1	PROPOSE ONLY	ALLEN	2012.10.08
3	取消外壳的检测弹片镂空槽	ALLEN	2017.04.19

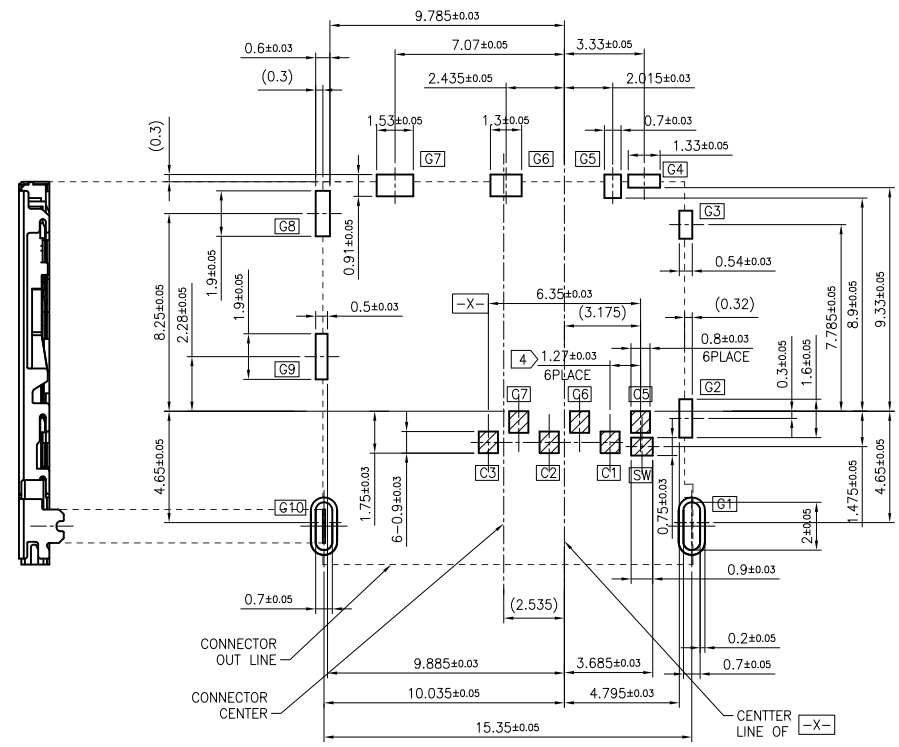


Recommended PCB Layout
(General tolerance: ±0.05)

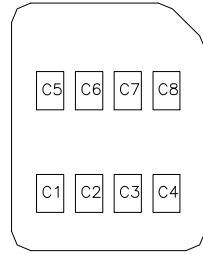


【 Connector Pin Assignments 】

No.	Pin name	Description
①	C1	Vcc of SIM
②	C2	RST of SIM
③	C3	CLK of SIM
④	C5	GND of SIM
⑤	C6	Vpp of SIM
⑥	C7	I/O of SIM
⑦	SW	Detection Switch
⑧~⑰	GND	Shell Ground



【 SIM CARD PAD LAYOUT 】



【 SIM Card Pin Assignments 】

PIN	Name
C1	Vcc
C2	RST
C3	CLK
C4	Reserved
C5	GND
C6	Vpp
C7	I/O
C8	Reserved

UNLESS OTHERWISE SPECIFIED TOLERANCES

DECIMALS: X :±0.5 X.X :±0.20 X.XX :±0.10

ANGLES: X :±2° X.X :±1°

深圳市顺宏康科技有限公司

TITLE: 1.27mm (DIP 1.4mm) Push Micro SD CARD CONN.

DWN: ALLEN PART NO. SOPP-130006-14G

CHKD: KEVIN SCALE:1:1 UNIT: mm

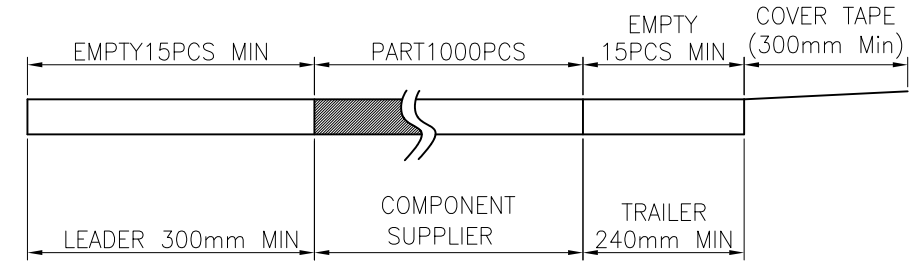
APVD: ERIC.W SIZE: A3 SHEET:2 OF 2 REV: A3

CUSTOMER COPY

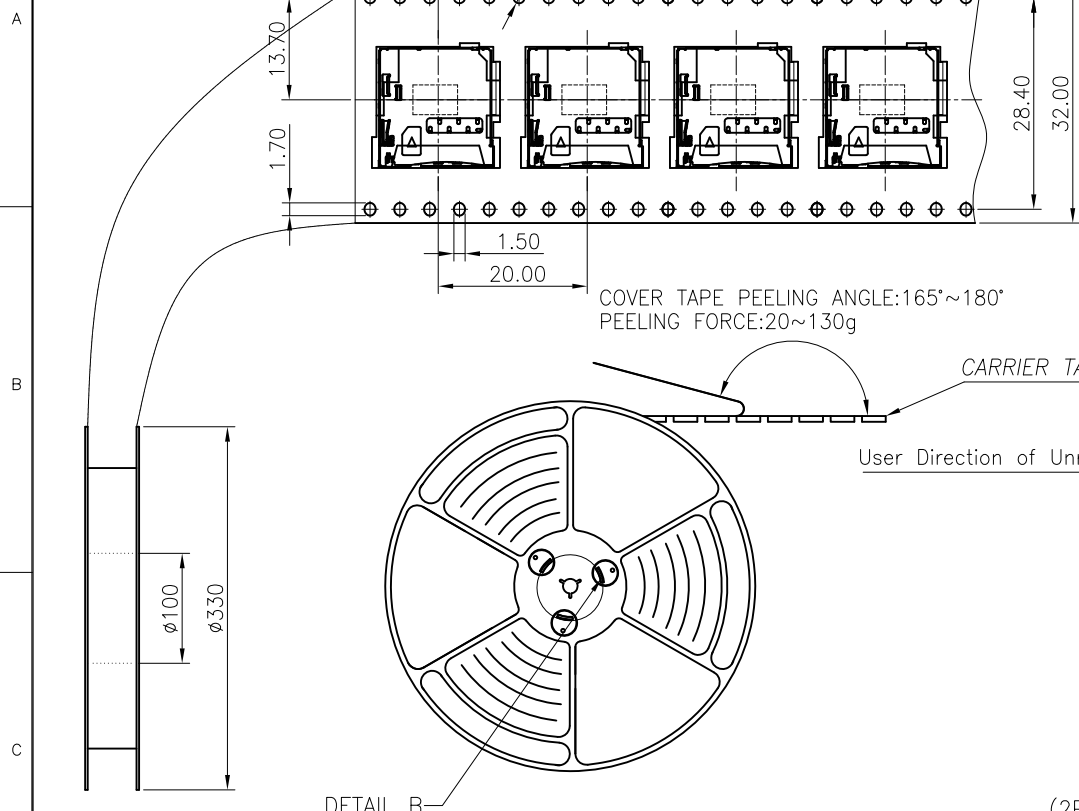
REV.	ECN NO OR DESCRIPTION	REVISED	DATE
3	PROPOSE ONLY	ALLEN	2017.04.19

NOTES

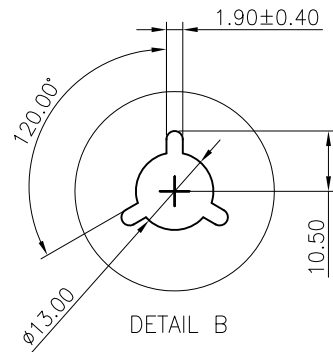
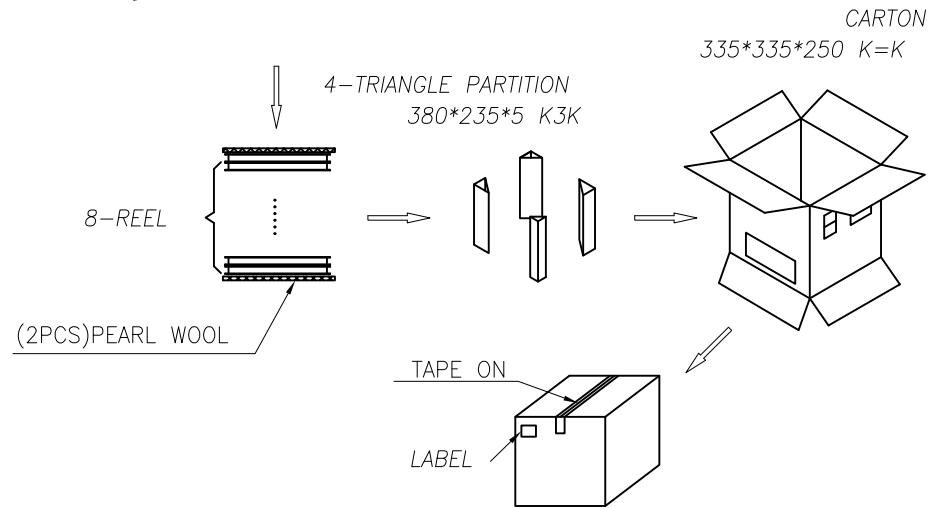
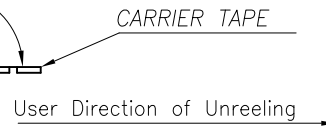
1. NUMBER OF CONNECTORS:1000PCS/REEL
2. LEAD TAPE LENGTH



3. QUANTITY:7000PCS/CARTON
4. WEIGHT :
THE NET WEIGHT OF PER PART IS 0.38g.



COVER TAPE PEELING ANGLE:165°~180°
PEELING FORCE:20~130g



UNLESS OTHERWISE SPECIFIED TOLERANCES		 深圳市顺宏康科技有限公司			
DECIMALS:	ANGLES:	TITLE	1.27mm (DIP 1.4mm) Push Micro SIM CONN. 包装规范		
X :±0.5	X :±2°	DWN	ALLEN	PART NO. PK-SOPP-130006-14G	
X.X :±0.20	X.X :±1°	CHKD	KEVIN	SCALE:1:1	UNIT: mm
X.XX :±0.10		APVD	ERIC.W	SIZE: A3	SHEET:10F 1
		REV: A3			
CUSTOMER COPY					